

# Functional Description of automatic door control system for RCF

---

Project-No. 66407G1A,

---

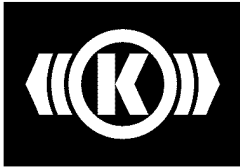
Customer RCF (Indian Railway)

---

System Door control system

---

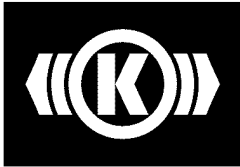
Creator Benjamin Kumpfe



## CONTENTS

<b>1</b>	<b>General</b>	<b>3</b>
<b>2</b>	<b>Functional overview</b>	<b>4</b>
2.1	Entering the coach from outside	4
2.2	Activating the guard panel	5
2.3	Opening doors	6
2.4	Closing doors	8
2.5	Speed dependent functions	10
2.6	End of operation	11
<b>3</b>	<b>Agreed additional function</b>	<b>12</b>

[The original document has been issued in English]



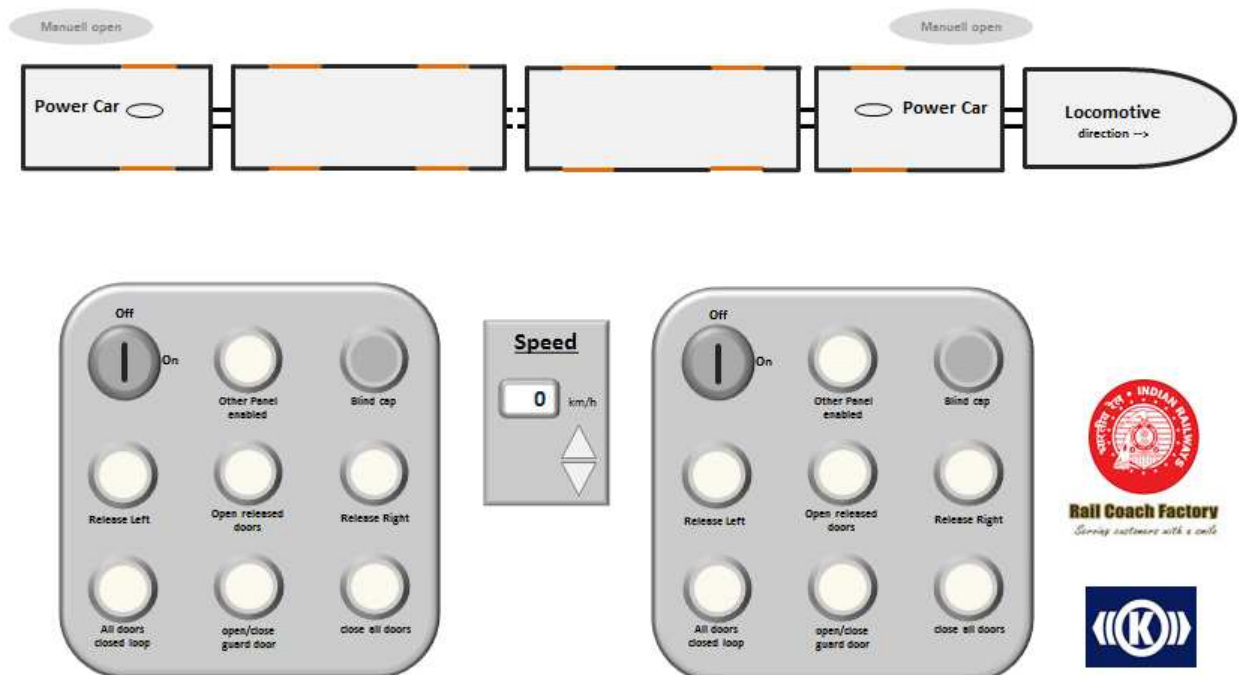
## 1 General

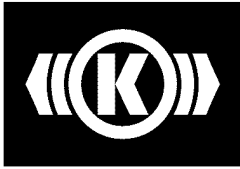
This document shall give an overview of the functions of the door control system for RCF in order to agree on a functional design freeze.

Functions are shown as per the simulator presentation at RCF on June 29<sup>th</sup>.

Overview of Simulator:

- ➔ Manual open for accessing the rake
- ➔ Train rake with two power cars and intermediate cars
- ➔ Two guard panels to simulate active and inactive panel operation.

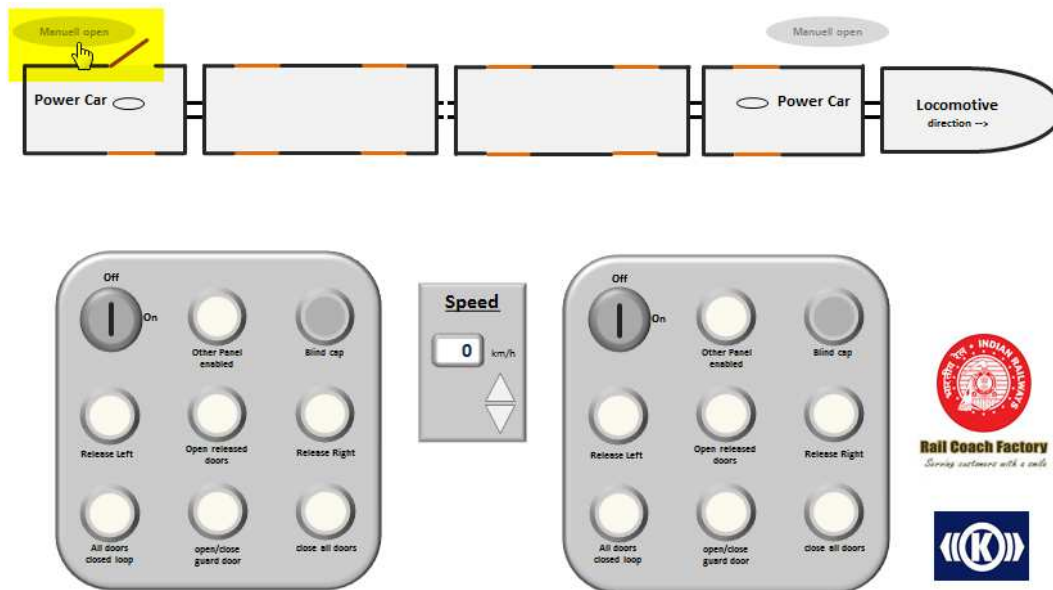


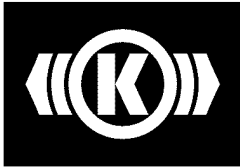


## 2 Functional overview

### 2.1 Entering the coach from outside

- By the means of a manual unlocking device the guard can enter the door from the outside. This is possible without power in the coach.

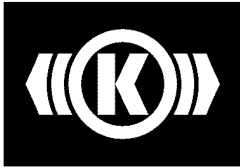




## 2.2 Activating the guard panel

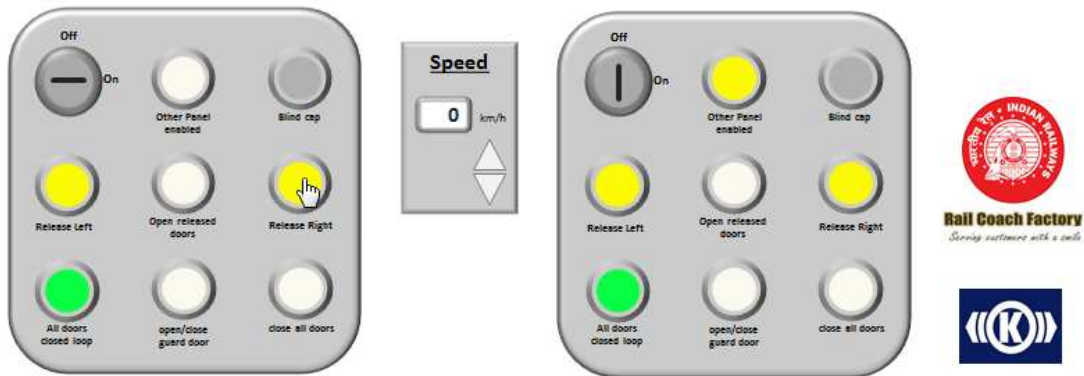
- Turning the key switch will activate the guard panel.
- The inactive panel will indicate that the other panel is enabled (yellow light) – whereas all functions of the inactive panel are disabled and won't lead to any interruption with the active panel. When all doors are closed the green loop will indicate accordingly (green lamp)
- Only the doors of the active guard room will be bypassed from the green loop. This allows the guard to check if all doors of the rake are closed. The guard can then step out of his car in order to give flag signal to the loco driver.



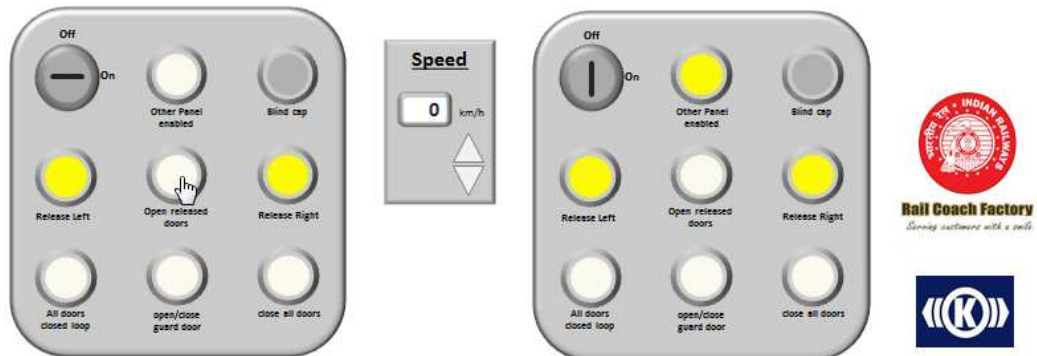
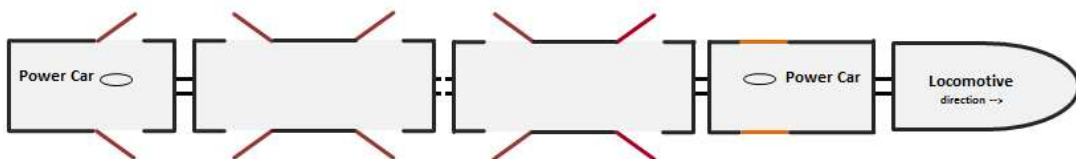


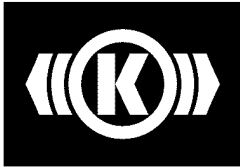
## 2.3 Opening doors

- ➔ In order to open the doors of one or even both sides, the according side(s) have to be released first by pushing the release button(s) – Picture shows releasing of both sides.
- ➔ Lights will indicate that the side(s) are released.

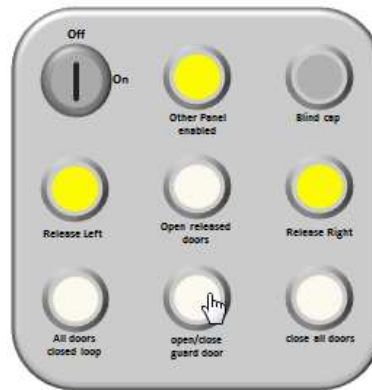


- ➔ Thereafter only the released side(s) can be opened by pushing the “open all doors” button.
- ➔ After pushing “open all doors” all released doors will open accordingly.
- ➔ The doors of the inactive guard room will remain closed so that there is no unwanted entering from outside possible. These guard room doors need to be opened by the inactive guard panel.



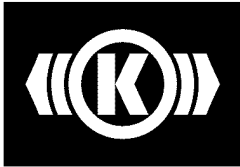


- The released signal remains active so that the inactive guard also has the chance to open his doors. Without this release signal no doors can be opened.
- After pushing the “open guard room door” button, also the released door(s) in the guard room will open.



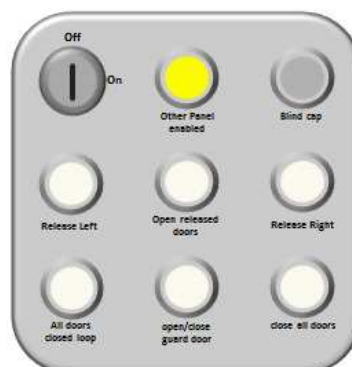
**Rail Coach Factory**  
*Setting excellence with a smile*

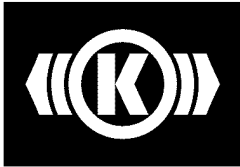




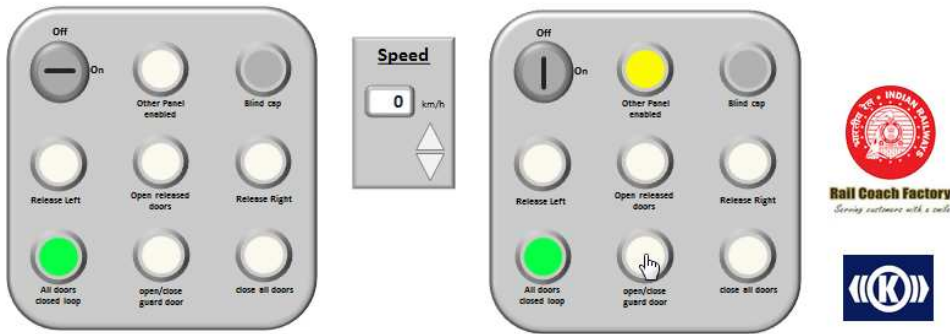
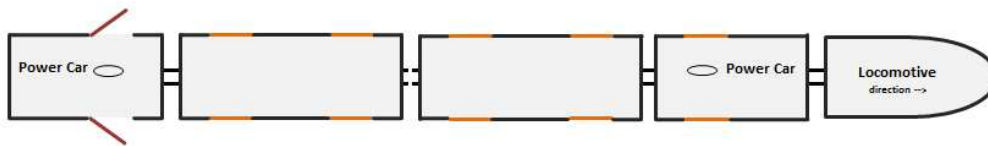
## 2.4 Closing doors

- By pushing “Close all doors” button all before opened doors will be closed.
- The released signal will be eliminated hereby.
- The doors of the active guard room door remain open so that the guard can step out of the train to give flag signal to the loco driver. This should only happen after the green loop signal is indicating that all doors are closed.
- Also the inactive guard room doors remain open so that the guard of the inactive power car has the chance to enter the guard room even if the doors for the passengers have been closed already. These open guard doors (inactive guard room) are the reason why the green loop is not closed yet. =no green light.

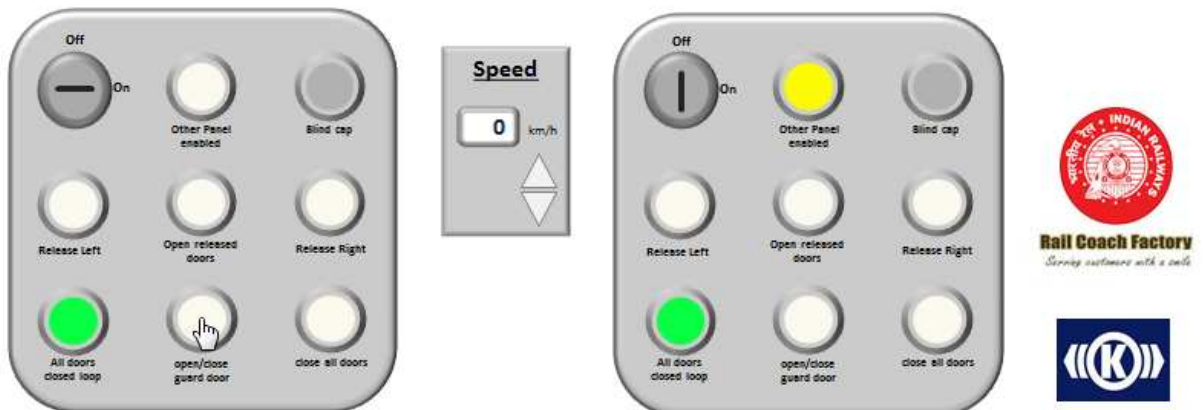


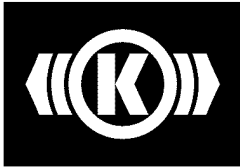


- Only after the guard of the inactive guard room has closed the doors of his car by pushing the button “open/close guard door” the green loop will light up to show the active guard that all doors are closed now.
- The active guard room doors remain open and are bypassed from the green loop so the guard can step out to give flag indication to the loco driver.



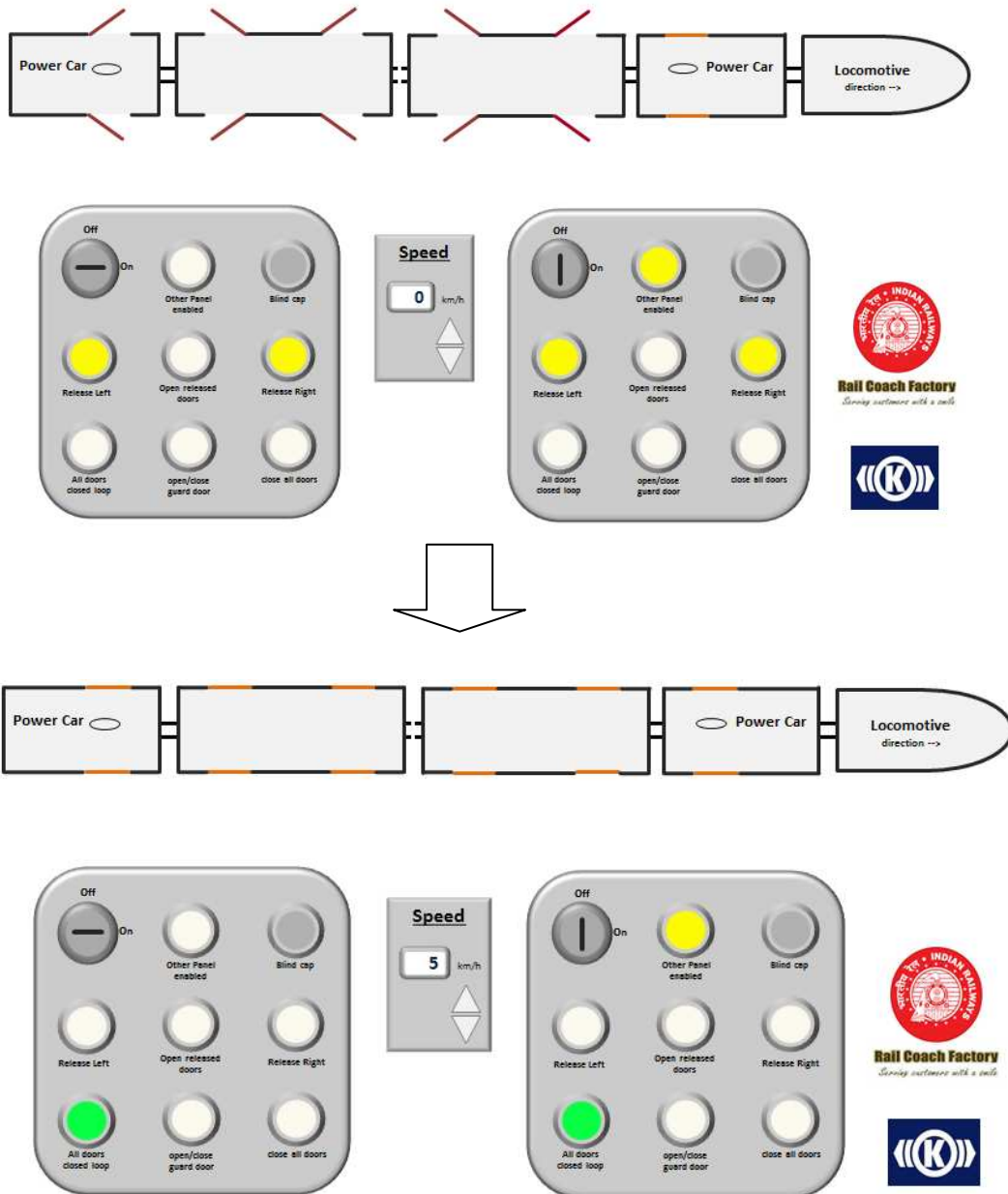
- Now as everything is OK (green loop indicated) the guard can still leave the guard room in order to give the flag signal to the loco driver to start the operation. Thereafter the guard can enter the power car again and close his doors by pushing the button “open/close guard door”.



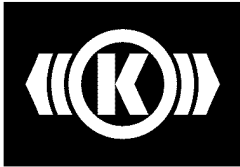


## 2.5 Speed dependent functions

→ In case the train starts operation, all doors (independently which one) will automatically close when the speed is greater than 5 km/h.

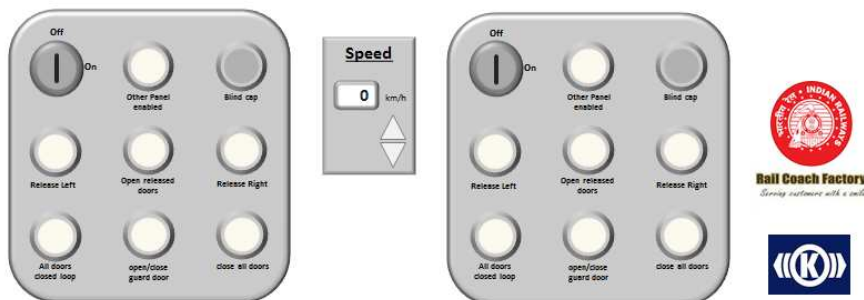
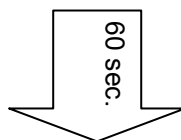
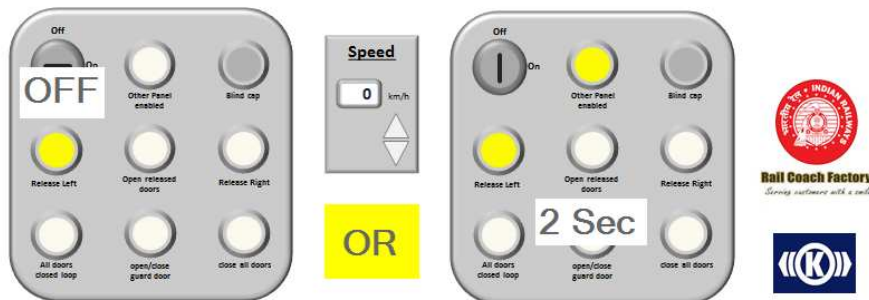


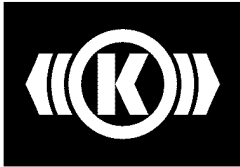
→ Now as the train is moving with a speed greater 5 km/h the doors cannot be opened unless the speed is reduced again. Now it is even not possible to activate a release signal as this is blocked by the guard panel as the button will be blocked speed dependently by a relay.



## 2.6 End of operation

- ➔ When all doors are closed and the green loop signal is illuminated, the guard can leave the active power car by simply switching off the key of his panel.
- ➔ After switching off the panel there will be an automatic time delayed closing (e.g. 1min) of the guard door(s).  
This time delay allows the guard to leave the train whereas the door automatically will close behind him. This procedure will be indicated by the door itself with a blinking light at the door.
- ➔ The same time delayed closing is also possible for the inactive guard room. Therefore the guard has to press the "open/close guard door" button for more than (e.g.) 2 sec.





### 3 Agreed additional function

During the meeting on 29<sup>th</sup> of June at RCF the following functions have been agreed to be added to the system:

1) **Lamp indication test:**

The blind cap on the guard panel will be replaced by a lamp indication button.  
This allows to check if all indicators are working properly.

2) **Side selective closing of doors**

In case the guard has been released and opened the doors on both sides of the train, it shall be possible to close the doors of only one side whereas the other side remains open.

Currently the guard would have to close all doors of both sides before. And then open again the correct side.

## Lubrication Instruction / 润滑说明


---

Single leaf sliding plug door SST – E1

单扇塞拉门 SST – E1 (66407G1AR01)

**LHB**

All rights reserved. Any misapplication of this description, particularly reproduction or transmission to third parties in any form, may be liable to punishment under civil law or to criminal prosecution. Confidential, for internal use only !

<i>Issue No.</i> <b>00</b>	<i>prepared/modified</i> <b>2015/10/15</b> <b>Lynette Li</b>	<i>checked/released</i> <b>2015/10/15</b> <b>Larry Yu</b>	<i>Total pages</i> <b>18</b>	<i>Page No.</i> <b>1</b>
 <b>Automatic Door Systems</b> Division of KNORR-BREMSE			Documentation-No.: <b>DDSTE10788E05</b>	

Take notice - Take notice - Take notice - Take notice - Take notice

注意 - 注意 - 注意 - 注意 - 注意

We advise that in order to protect against danger, the installation of or the operation of our products or components is only to be undertaken by authorised personnel in accordance with appropriate technical instructions.

为了防止发生危险，我们建议对我方产品或部件只能由我方授权人员依据适当的技术说明进行安装或操作。

We accept no liability under the product liability laws for direct or consequential damage, arising from incorrect operation, incorrect installation or incorrect handling of products or components supplied by us.

对于由非正确的操作、安装或处理由我方提供的产品或部件而引发的直接或间接损失，我方无义务承担产品责任法的责任。

## List of contents / 目录

Contents / 内容	Page / 页码
<b>1 Required Documents / 所需的文件</b> .....	<b>4</b>
<b>2 Introduction / 介绍</b> .....	<b>5</b>
2.1 Specified Grease Type / 指定的润滑脂类型 .....	5
2.2 Safety Instruction / 安全说明 .....	6
<b>3 Initial lubrication before set-up of the vehicle / 车辆初次运行之前的首次润滑</b> .....	<b>7</b>
3.1 Header gear area / 驱动机构区域 .....	7
3.2 Lock housing mechanism / 锁闭机构 .....	8
3.3 Isolating lock mechanism for door lock / 门锁的隔离机构 .....	10
3.4 Door seals / 车门密封 .....	11
<b>4 Lubrication after the set-up of the vehicle / 列车初次运行之后的润滑</b> .....	<b>12</b>
4.1 Header gear area / 驱动机构区域 .....	12
4.2 Lock housing mechanism / 锁闭机构 .....	14
4.3 Isolating lock mechanism for door lock / 门锁的隔离机构 .....	16
4.4 Door seals / 车门密封 .....	17
<b>5 Issue Remark / 版本备注</b> .....	<b>18</b>

## 1 Required Documents / 所需的文件

Document-No. / Drawing-No. 文件号 / 图纸号	Description / 说明
66407G1AR01	Assembly drawing / 安装图
66407G1AR11/12/13/14	Scope of supply / 供货范围
DDSTE10788E09	Maintenance plan / 维护计划

## 2 Introduction / 介绍

The lubrication instruction is an aid for the lubrication of the **IFE**-door system for first lubrication before setting system in use and for lubrication after setting system in use according to the service intervals. 润滑说明用于为整个 IFE 门系统的润滑提供协助，依据维护周期，投入使用前进行的第一次润滑和投入使用后定期润滑。

- For service intervals see maintenance and overhaul plan DDG10203E09.  
• 维护周期请参见维护和大修计划 DDG10203E09。
- Before starting the lubrication tasks all mechanical and electrical actions must be finished.  
• 应在开始润滑工作之前完成所有机械和电气工作。
- The lubricants are not in **IFE**'s scope of supply and must be bought from the customer on the market or can be ordered by **IFE** with the below mentioned part No. (see item 2.1).  
• 润滑剂未处于 IFE 供货范围之内，必须由客户从市场购买或从 IFE 订购，部件号如下（见2.1）。
- If the lubrications tasks are not undertaken in accordance to our maintenance plan and lubricating instruction, **IFE** is not liable for unusual wear out.  
• 如果未按照我方提供的维护和大修指南进行润滑工作，**IFE**不承担任何由此造成的异常磨损责任。

### 2.1 Specified Grease Type / 指定的润滑脂类型

#### **KLUEBER ISOFLEX LDS 18 SPECIAL A**

**IFE** -Part No. / 部件号 N300160R08

*KLUEBER LUBRICATION AUSTRIA GesmbH  
Franz-W.-Segererstr.32  
A-5028 SALZBURG-KASERN*

#### **Klueber Barrierta L 25 DL – free of silicone / 不含硅树脂**

**IFE** -Part No. N300160R19

*KLUEBER LUBRICATION AUSTRIA GesmbH  
Franz-W.-Segererstr.32  
A-5028 SALZBURG-KASERN*

## 2.2 Safety Instruction / 安全说明

**CAUTION / 小心**

When using above materials observe the manufacturer's safety instructions to preclude damages to or impairment of health.

使用上述材料时应遵循制造商的安全说明以避免损坏或健康的伤害。

**CAUTION / 小心**

Observing the manufacturer's instructions for use also ensures compatibility with other materials or manufacturing equipment.

遵循制造商的说明也可确保材料与其他材料或生产设备的兼容性。

**CAUTION / 小心**

During lubrication work in the area of the drive there is squeezing danger !!! The concerning door area must be electrical disconnected and therefore taken out of service.

在驱动机构执行润滑工作期间有夹伤的危险!!! 应断开相关车门的电气连接因此停止服务。

**NOTE / 注意**

Clean the whole door area from dust, swarf, etc. before starting lubrication!

开始润滑前清洁整个门区域内的灰尘和碎屑!

### 3 Initial lubrication before set-up of the vehicle / 车辆初次运行之前的首次润滑

#### 3.1 Header gear area / 驱动机构区域



#### **WARNING / 警告**

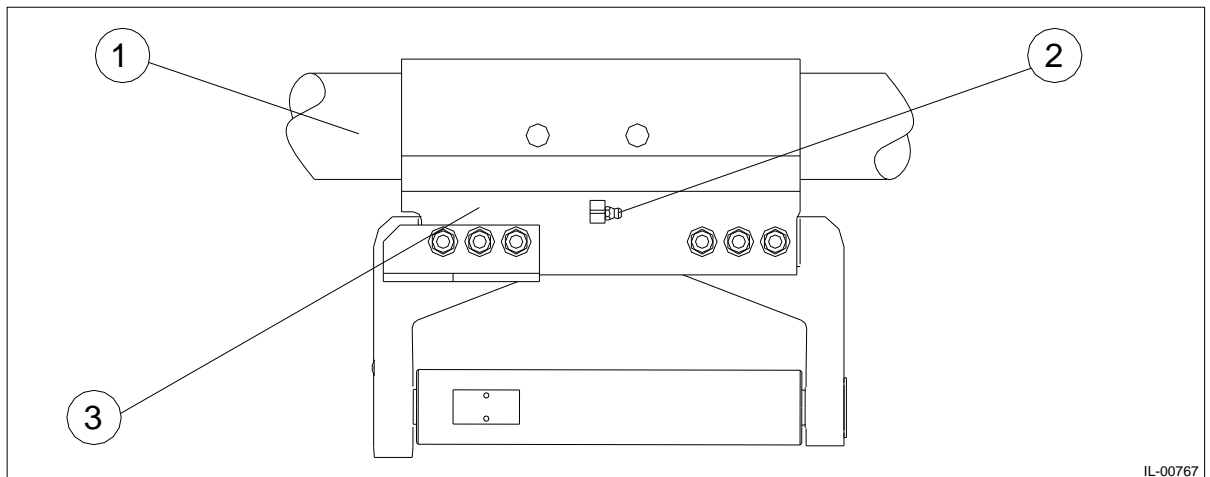
Switch off power supply of the door system!  
断开门系统的电源！

Use grease type KLÜBER ISOFLEX LDS 18 Spezial A.  
用 KLÜBER ISOFLEX LDS 18 Spezial A 润滑。

#### 3.1.1 Guide rod (round) / 光杠（圆形）

The guide rod have to be lubricated through the grease nipple located on the trolley with KLÜBER ISOFLEX LDS 18 Spezial A (see drawing 3-1 – grease nipple at trolley).  
光杠需要通过位于滑车上的油嘴用 KLÜBER ISOFLEX LDS 18 Spezial A 润滑（见图 3-1 – 滑车上的油嘴）。

drawing 3-1 – grease nipple at trolley / 图 3-1 – 滑车上的油嘴



IL-00767

Pos. 件号	Designation 名称
1	Guide rod / 光杠
2	Grease nipple / 油嘴
3	Trolley / 滑车

Grease amount: 4 to 6 gram grease. / 油脂数量：4 至 6g 油脂。



#### **WARNING / 警告**

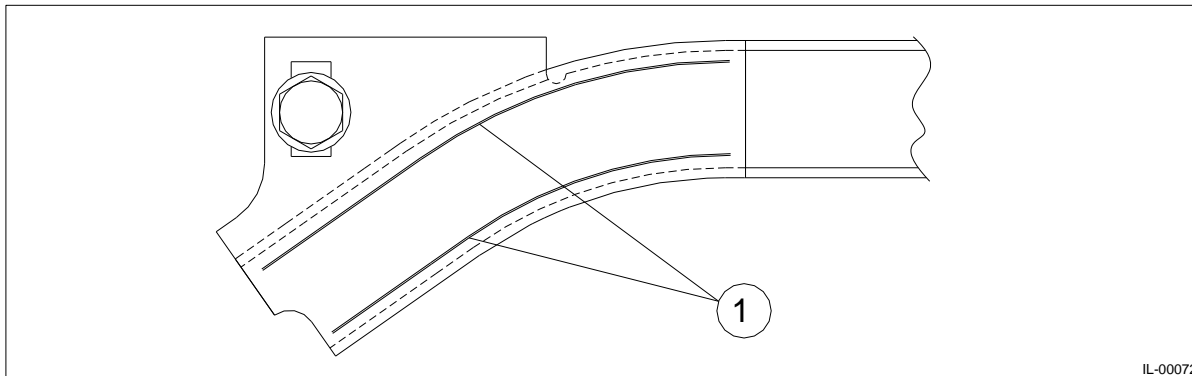
**DO NOT** use hydraulic grease pistol, use hand grease pistol for greasing the ball bearing!!

不能用液压油脂枪，用手动油脂枪为滚珠轴承施加润滑脂！！

3.1.2 Guide rail / 导轨

The guide rail at the top have to be lightly lubricated in the swing area with KLÜBER ISOFLEX LDS 18 Spezial A (see drawing 3-2 – guide rail).  
 应使用 KLÜBER ISOFLEX LDS 18 Spezial A 稍稍润滑顶部导轨的摆出动作区域（见图 3-2 – 导轨）。

drawing 3-2 – guide rail / 图 3-2 – 导轨



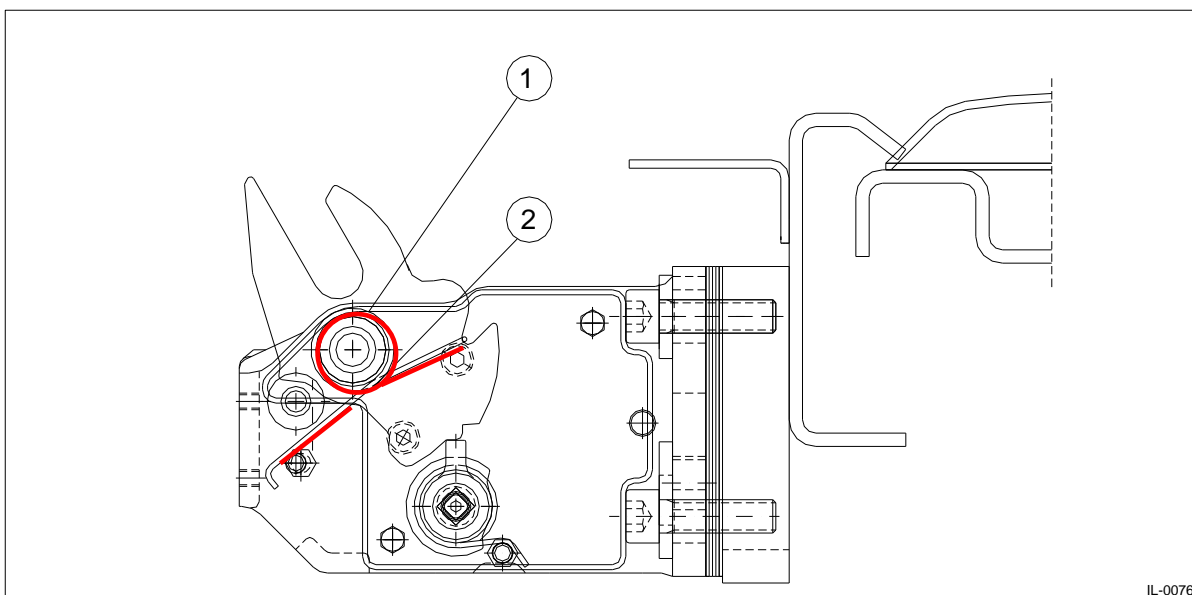
IL-00072

Pos. 件号	Designation 名称
1	Grease with Klüber Isoflex LDS 18 Spezial A, only in the swing area! 用 KLÜBER ISOFLEX LDS 18 Spezial A 润滑，仅在摆出动作区域

3.2 Lock housing mechanism / 锁闭机构

Following parts of the lock housing mechanism have to be lubricated with KLÜBER ISOFLEX LDS 18 Spezial A:  
 锁闭机构的下列部件必须使用 KLÜBER ISOFLEX LDS 18 Spezial A 润滑：

drawing 3-3 – spring in lock housing mechanism / 图 3-3 – 锁闭机构的弹簧

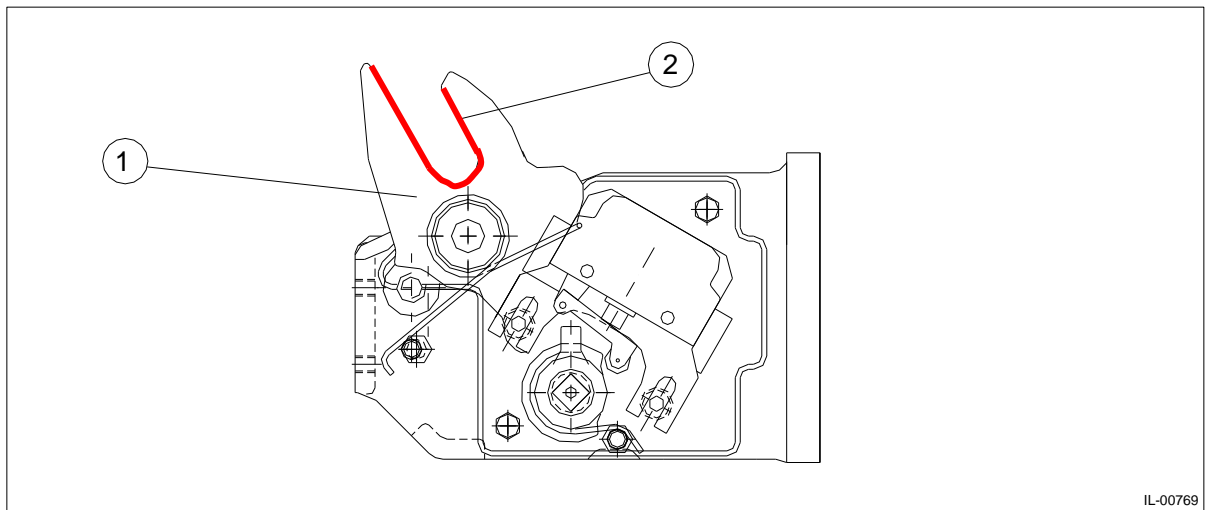


IL-00768

Pos. 件号	Designation 名称
1	Torsion spring / 扭簧
2	KLÜBER ISOFLEX LDS 18 Spezial A

- All springs located in the lock housing mechanism (see drawing 3-3 – spring in lock housing mechanism).
- 锁闭机构中的所有弹簧（见图 3-3 – 锁闭机构的弹簧）。

drawing 3-4 – latch in lock housing mechanism / 图 3-4 – 锁闭机构的棘爪

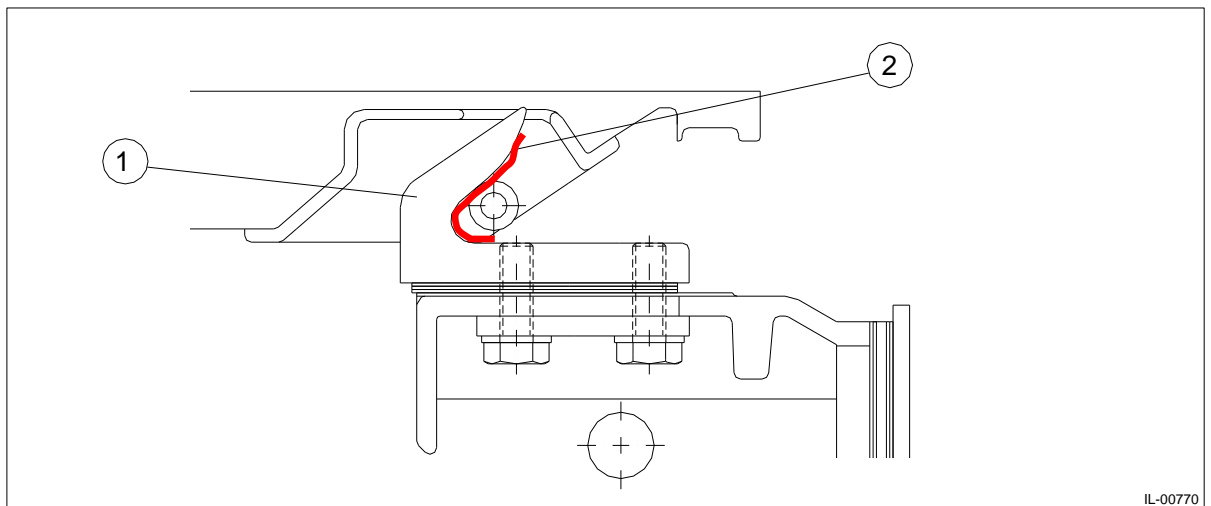


IL-00769

Pos. 件号	Designation 名称
1	Latch / 棘爪
2	KLÜBER ISOFLEX LDS 18 Spezial A

- latch in the lock housing mechanism (see drawing 3-4 – latch in lock housing mechanism).
- 锁闭机构中的棘爪（见图 3-4 – 锁闭机构的棘爪）。

drawing 3-5 – catch hook in lock housing mechanism / 图 3-4 – 锁闭机构的抓钩



IL-00770

Pos. 件号	Designation 名称
1	Catch hook / 抓钩
2	KLÜBER ISOFLEX LDS 18 Spezial A

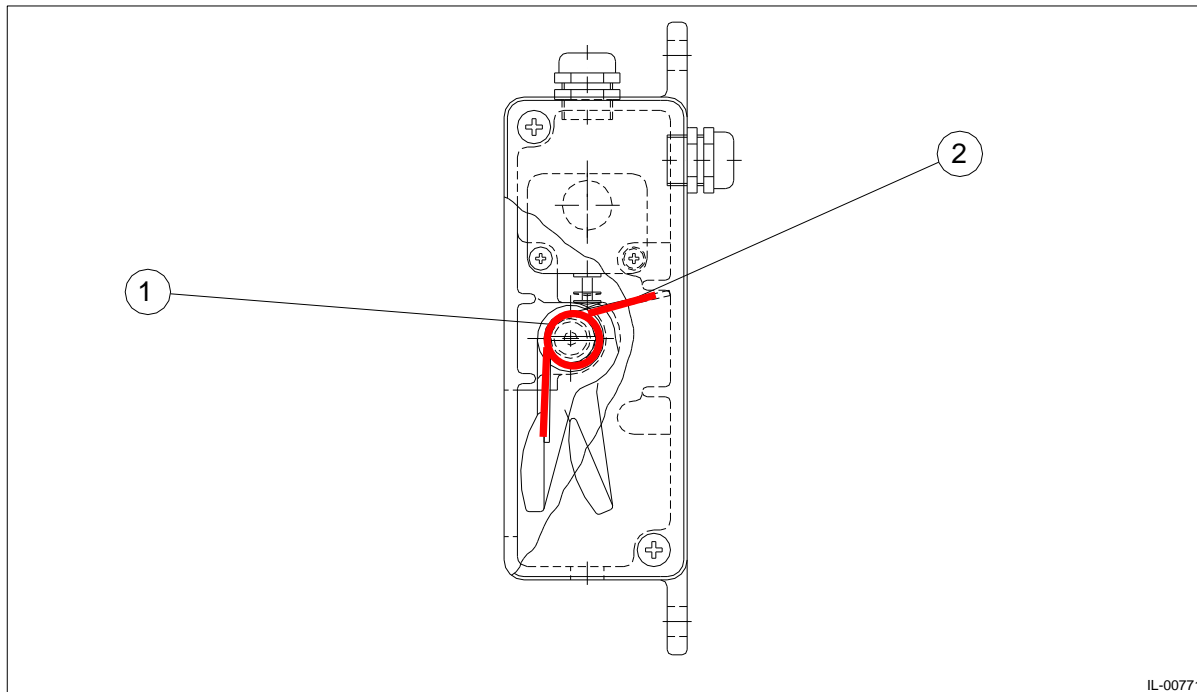
- Catch hook in the lock housing mechanism (see drawing 3-5 – catch hook in lock housing mechanism).
- 锁闭机构中的抓钩（见图 3-4 – 锁闭机构的抓钩）

### 3.3 Isolating lock mechanism for door lock / 门锁的隔离机构

Following parts of the isolating lock mechanism have to be lubricated with KLÜBER ISOFLEX LDS 18 Spezial A:

门锁隔离机构的下列部件必须使用 KLÜBER ISOFLEX LDS 18 Spezial A 润滑

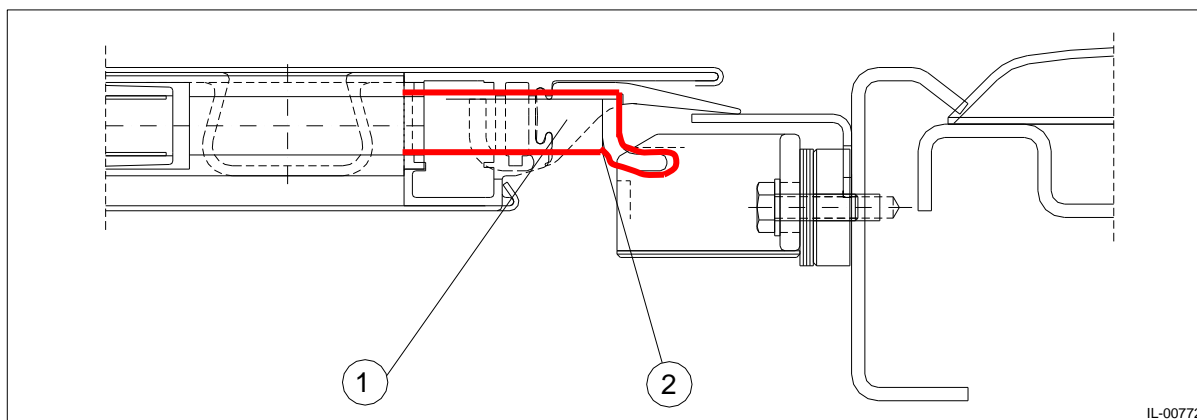
drawing 3-6 – torsion spring in isolating lock / 图 3-6 – 隔离锁中的扭簧



Pos. 件号	Designation 名称
1	Torsion spring / 扭簧
2	KLÜBER ISOFLEX LDS 18 Spezial A

- All springs in the isolating lock mechanism (see drawing 3-6 – torsion spring in isolating lock).
- 门锁隔离机构中的所有弹簧（见图 3-6 – 隔离锁中的扭簧）

drawing 3-7 – lock lever in isolating lock / 图 3-7 – 隔离锁中的锁闭杆



Pos. 件号	Designation 名称
1	Lock lever / 锁闭杆
2	KLÜBER ISOFLEX LDS 18 Spezial A

- Lock lever located in the door lock (see drawing 3-7 – lock lever in isolating lock).
- 门锁中的锁闭杆（见图 3-7 – 隔离锁中的锁闭杆）

#### 3.4 Door seals / 车门密封

All surrounding door seals, the finger protection rubber and the portal rubber must be lubricated with Klueber Barrierta L 25 DL – free of silicone.

所有车门周边密封条、防夹手保护胶条和门框胶条必须使用 Klueber Barrierta L 25 DL 润滑 - 不含硅树脂。

After the finger protection rubber and the portal rubber have been greased, they need to be dried with a clean piece of cloth.

防夹手保护胶条和门框胶条润滑结束后，要用干布擦干。

## 4 Lubrication after the set-up of the vehicle / 列车初次运行之后的润滑



### WARNING / 警告

Switch off power supply of the door system!  
断开门系统的电源！



### WARNING / 警告

Remove old grease and dirt before applying any new lubricant.  
施加新润滑剂之前应将旧的润滑剂和灰尘清除！

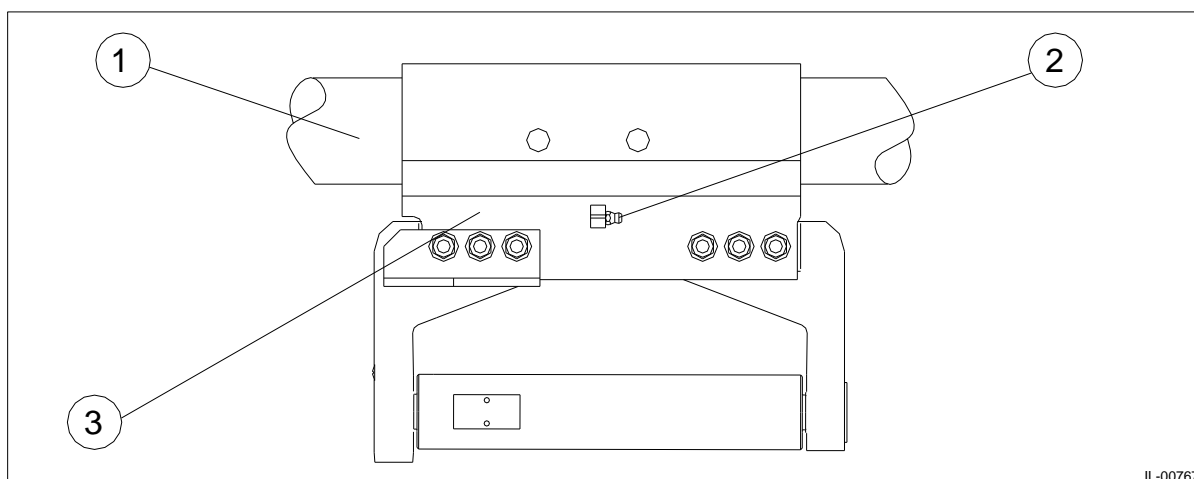
### 4.1 Header gear area / 驱动机构区域

#### 4.1.1 Guide rod (round) / 光杠（圆形）

The guide rod have to be lubricated through the grease nipple located on the trolley with KLÜBER ISOFLEX LDS 18 Spezial A (see drawing 4-1 – grease nipple at trolley).

光杠需要通过位于滑车上的油嘴用 KLÜBER ISOFLEX LDS 18 Special A 润滑（见图 4-1 – 滑车上的油嘴）。

drawing 4-1 – grease nipple at trolley / 图 4-1 – 滑车上的油嘴



IL-00767

Pos. 件号	Designation 名称
1	Guide rod / 光杠
2	Grease nipple / 油嘴
3	Trolley / 滑车

Grease amount: 4 to 6 gram grease. / 油脂数量：4 至 6g 油脂。



### WARNING / 警告

**DO NOT** use hydraulic grease pistol, use hand grease pistol for greasing the ball bearing!!

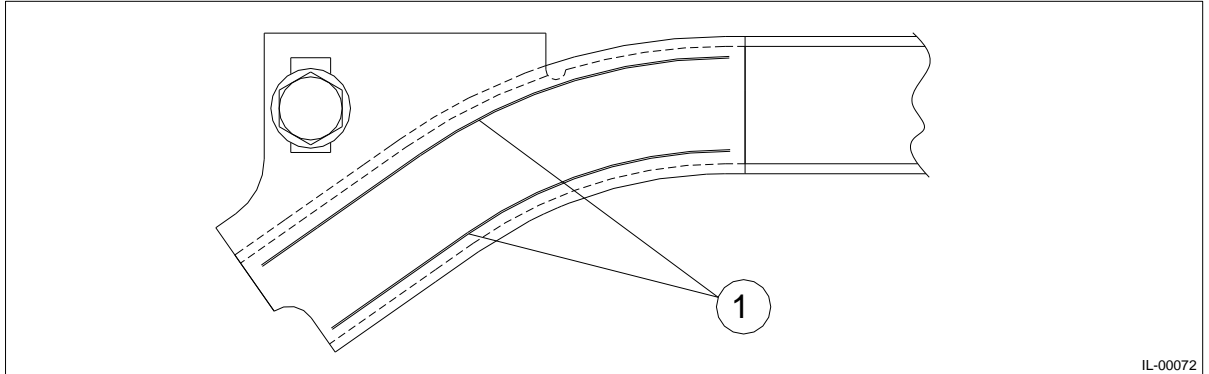
不能用液压油脂枪，用手动油脂枪为滚珠轴承施加润滑脂！！

## 4.1.2 Guide rail / 导轨

The guide rail at the top have to be lightly lubricated in the swing area with KLÜBER ISOFLEX LDS 18 Spezial A (see drawing 4-2 – guide rail).

应使用 KLÜBER ISOFLEX LDS 18 Spezial A 稍稍润滑顶部导轨的摆动动作区域（见图 4-2 – 导轨）。

drawing 4-2 – guide rail / 图 4-2 – 导轨



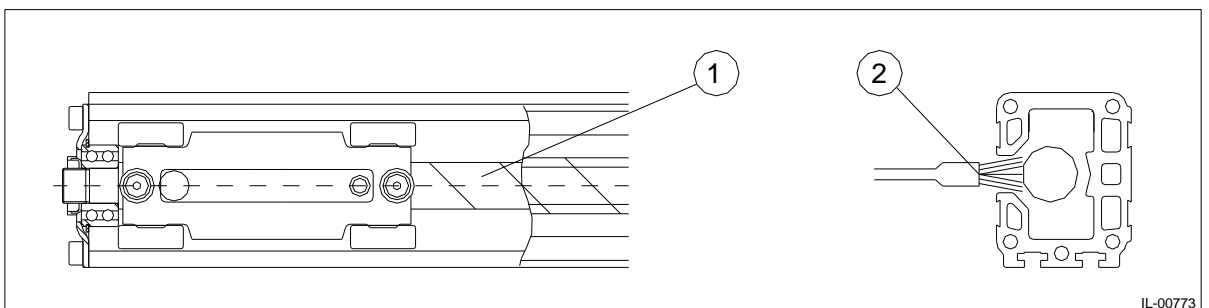
Pos. 件号	Designation 名称
1	Grease with Klüber Isoflex LDS 18 Spezial A, only in the swing area! 用 KLÜBER ISOFLEX LDS 18 Spezial A 润滑，仅在摆动动作区域

## 4.1.3 Drive spindle / 驱动丝杠

Lubricate the drive spindle over the whole length with Klüber Isoflex LDS 18 Spezial A via a small brush (see drawing 4-3 – drive spindle).

应使用 KLÜBER ISOFLEX LDS 18 Spezial A 在驱动丝杠整个长度范围内用小毛刷润滑（见图 4-3 – 驱动丝杠）。

drawing 4-3 – drive spindle / 图 4-3 – 驱动丝杠



Pos. 件号	Designation 名称
1	Drive spindle / 驱动丝杠
2	Grease with a brush / 用小毛刷涂润滑油

**NOTE / 注**

After the lubrication, close and open the door approximately 3 times.  
润滑之后，开启和关闭车门约3次。

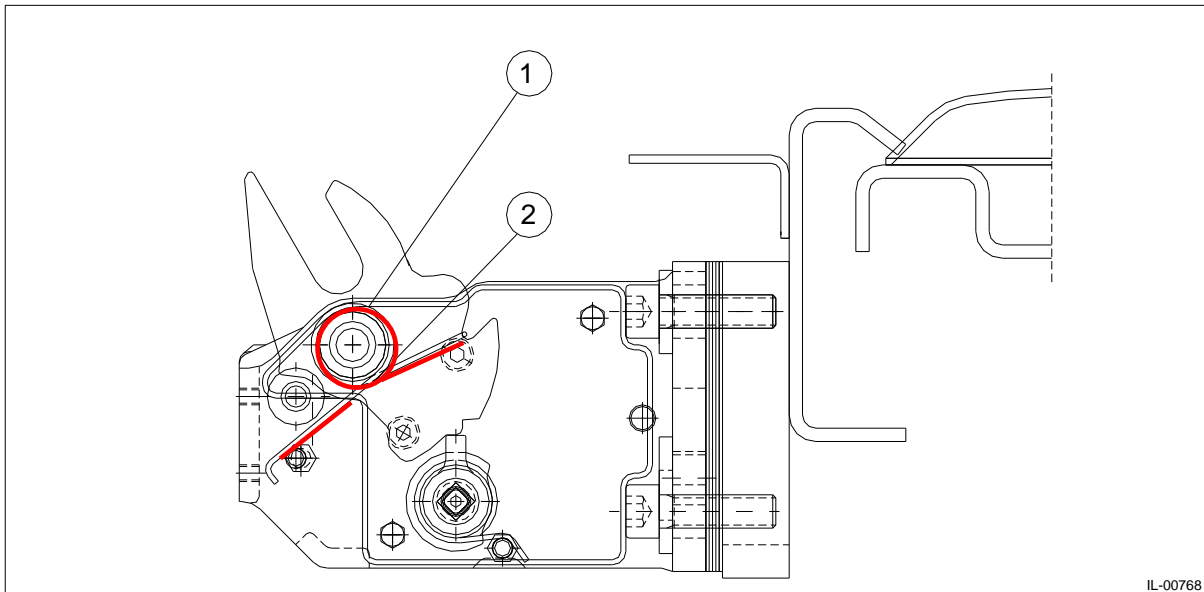
## 4.2 Lock housing mechanism / 锁闭机构

Following parts of the lock housing mechanism have to be lubricated with KLÜBER ISOFLEX LDS 18 Spezial A:

锁闭机构的下列部件必须使用 KLÜBER ISOFLEX LDS 18 Spezial A 润滑:

- All springs located in the lock housing mechanism (see drawing 4-4 – spring in lock housing mechanism).
- 锁闭机构中的所有弹簧（见图 4-4 – 锁闭机构的弹簧）。

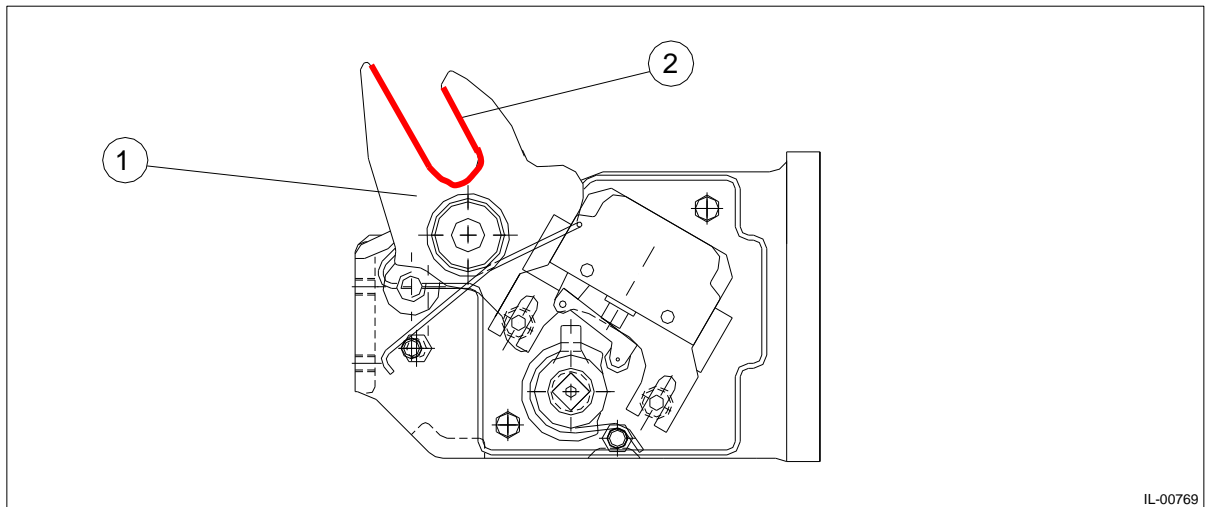
drawing 4-4 – spring in lock housing mechanism / 图 4-4 – 锁闭机构的弹簧



Pos. 件号	Designation 名称
1	Torsion spring / 扭簧
2	KLÜBER ISOFLEX LDS 18 Spezial A

- latch in the lock housing mechanism (see drawing 4-5 – latch in lock housing mechanism).
- 锁闭机构中的棘爪（见图 4-5 – 锁闭机构的棘爪）。

drawing 4-5 – latch in lock housing mechanism / 图 4-5 – 锁闭机构的棘爪

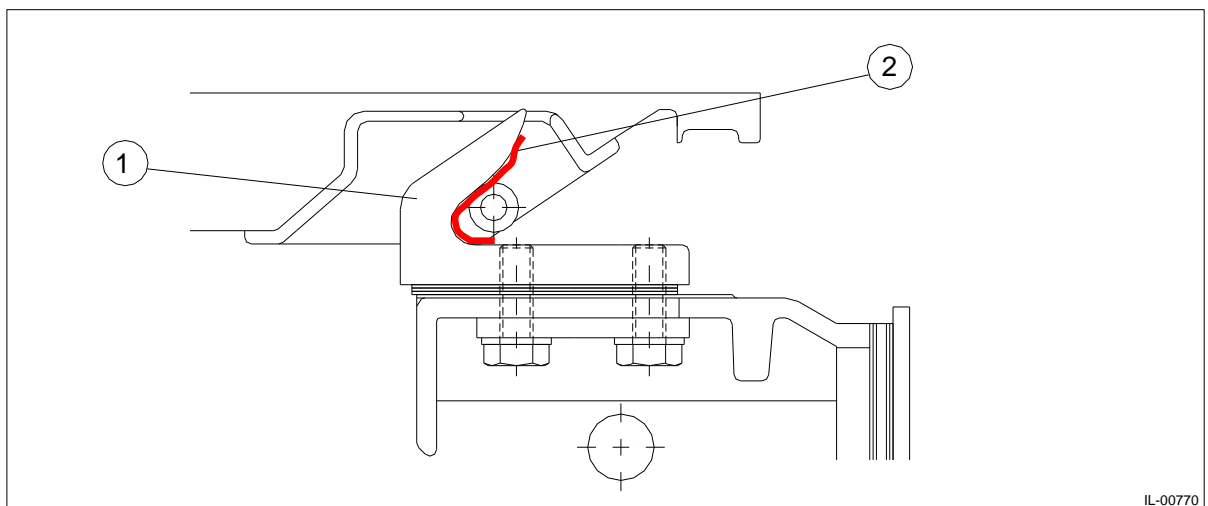


IL-00769

Pos. 件号	Designation 名称
1	Latch / 棘爪
2	KLÜBER ISOFLEX LDS 18 Spezial A

- Catch hook in the lock housing mechanism (see drawing 4-6 – catch hook in lock housing mechanism).
- 锁闭机构中的抓钩（见图 4-6 – 锁闭机构的抓钩）

drawing 4-6 – catch hook in lock housing mechanism / 图 4-6 – 锁闭机构的抓钩



IL-00770

Pos. 件号	Designation 名称
1	Catch hook / 抓钩
2	KLÜBER ISOFLEX LDS 18 Spezial A

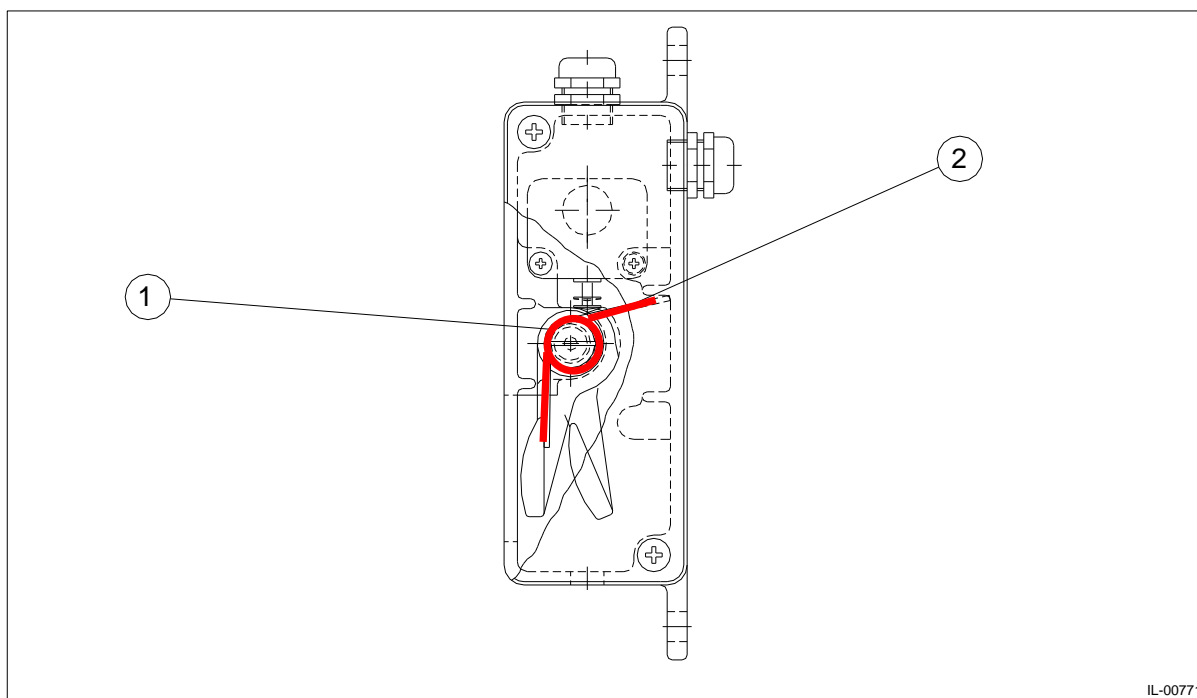
### 4.3 Isolating lock mechanism for door lock / 门锁的隔离机构

Following parts of the isolating lock mechanism have to be lubricated with KLÜBER ISOFLEX LDS 18 Spezial A:

门锁隔离机构的下列部件必须使用 KLÜBER ISOFLEX LDS 18 Spezial A 润滑:

- All springs in the isolating lock mechanism (see 门锁隔离机构中的所有弹簧 (见图 4-7 – 隔离锁中的扭簧))
- drawing 4-7 – torsion spring in isolating lock).
- 门锁隔离机构中的所有弹簧 (见图 4-7 – 隔离锁中的扭簧)

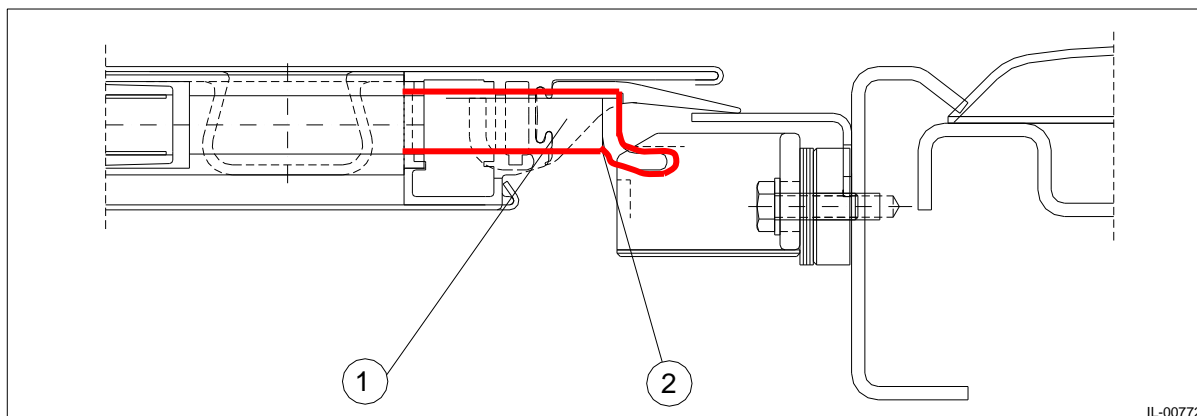
drawing 4-7 – torsion spring in isolating lock / 图 4-7 – 隔离锁中的扭簧



Pos. 件号	Designation 名称
1	Torsion spring / 扭簧
2	KLÜBER ISOFLEX LDS 18 Spezial A

- Lock lever located in the door lock (see drawing 4-8 – lock lever in isolating lock).
- 门锁中的锁闭杆 (见图 4-8 – 隔离锁中的锁闭杆)

drawing 4-8 – lock lever in isolating lock / 图 4-8 – 隔离锁中的锁闭杆



Pos. 件号	Designation 名称
1	Lock lever // 锁闭杆
2	KLÜBER ISOFLEX LDS 18 Spezial A

#### 4.4 Door seals / 车门密封

All surrounding door seals, the finger protection rubber and the portal rubber must be lubricated with Klueber Barrierta L 25 DL – free of silicone.

所有车门周边密封条、防夹手保护胶条和门框胶条必须使用 Klueber Barrierta L 25 DL 润滑 - 不含硅树脂。

After the finger protection rubber and the portal rubber have been greased, they need to be dried with a clean piece of cloth.

防夹手保护胶条和门框胶条润滑结束后，要用干布擦干。

## 5 Issue Remark / 版本备注

Issue 版本	Date 日期	Prepared 准备	checked/released 检查 / 核发
00	2015.10.15	Lynette Li	Larry Yu
item	modification		
	First edition / 第一版		

## Maintenance Plan / 维护计划

---

Single leaf sliding plug door

单扇塞拉门 SST – E1 (66407G1AR01)

**LHB**

All rights reserved. Any misapplication of this description, particularly reproduction or transmission to third parties in any form, may be liable to punishment under civil law or to criminal prosecution. Confidential, for internal use only !

<i>Issue No.</i> <b>00</b>	<i>prepared/modified</i> <b>2015/10/16</b> <b>Lynette Li</b>	<i>checked/released</i> <b>2015/10/16</b> <b>Larry Yu</b>	<i>Total pages</i> <b>11</b>	<i>Page No.</i> <b>1</b>
<b>IFE Automatic Door Systems</b> Division of KNORR-BREMSE GmbH • 33.a Straße 1 • A - 3331 Kematen/Ybbs			Documentation-No.: <b>DDSTE10788E09</b>	

Take notice - Take notice - Take notice - Take notice - Take notice

注意 - 注意 - 注意 - 注意 - 注意

We advise that in order to protect against danger, the installation of or the operation of our products or components is only to be undertaken by authorised personnel in accordance with appropriate technical instructions.

为了防止发生危险，我们建议对我方产品或部件只能由我方授权人员依据适当的技术说明进行安装或操作。

We accept no liability under the product liability laws for direct or consequential damage, arising from incorrect operation, incorrect installation or incorrect handling of products or components supplied by us.

对于由非正确的操作、安装或处理由我方提供的产品或部件而引发的直接或间接损失，我方无义务承担产品责任法的责任。

## List of contents / 目录

Contents / 内容	Page / 页码
<b>1 Required Documents / 所需文件</b> .....	<b>4</b>
<b>2 Introduction / 介绍</b> .....	<b>5</b>
2.1 Maintenance Intervals / 维护间隔 .....	5
2.2 Safety Instructions / 安全指南.....	6
2.3 Coach diagram / 车辆布局.....	<b>Error! Bookmark not defined.</b>
2.4 General view of assembly groups / 车门总成.....	<b>Error! Bookmark not defined.</b>
<b>3 Maintenance and Overhaul Plan / 维护和大修计划</b> .....	<b>7</b>
<b>4 Issue Remark / 版本备注</b> .....	<b>11</b>

## 1 Required Documents / 所需文件

Document-No. / Drawing-No. 文件号 / 图号	Description 说明
66407G1AR01	Assembly drawing 安装图
66407G1AR11/12/13/14	Scope of supply 供货范围
DDSTE10788E03	Door Function Description 门功能说明
DDSTE10788E05	Lubrication Instruction 润滑指南
DDSTE10788E36	Safety-Checklist 安全检查单

## 2 Introduction / 介绍

- The information given in the following chapters provides assistance for the maintenance and overhaul of the door system during a period of up to 30 years from the start-up.
- 下列章节中给出的信息可用来在 30 年的服役期限内为门系统的维护和大修提供辅助。
- The general view of the assembly groups given in chapter 3 allows the operator to localise the component that needs to be overhauled. The item numbers used in the general view of the assembly groups are also given as reference numbers in the Maintenance and Overhaul Schedule.
- 操作者可通过第三章中给出的车门总成图找到需要维护的部件。车门总成中列出的件号也用于维护和大修计划中。
- The information given in the following chapters only refers to the parts supplied by IFE.
- 下列章节中给出的信息仅对应 IFE 供应的部件
- No special tools and appliances are required for maintenance and overhaul (Only commercial tools will be used).
- 维护和大修无需任何特殊工具和器械（仅使用普通工具）
- The following parameters are the basis for the maintenance and overhaul intervals given below:
- 维护和大修的基本参数如下：

- |  |                   |
|--|-------------------|
| • Life time / 寿命                       | 30 years / 年      |
| • door cycle/year / 年运行次数:             | 15.000 cycles / 次 |
| • kilometre of the wagon/year / 年运行里程: | 120.000 km / 公里   |
| • Operating days per year / 年工作天数      | ___ days / 天      |
| • Operating hours per day / 日工作小时数     | __ hours / 小时     |

### 2.1 Maintenance Intervals / 维护间隔

Time / 时间	Distance / 距离
every 3 month / 每 3 个月	75.000 km / 公里
annually / 每年	300.000 km / 公里
every 3 years / 每 3 年	900.000 km / 公里
every 5 years / 每 5 年	1.500.000 km / 公里
every 10 years / 每 10 年	3.000.000 km / 公里

## 2.2 Safety Instructions / 安全指南

**WARNING / 警告**

- Maintenance operations may be carried out by trained personnel only.  
• 只能由经培训的人员执行维护操作
- Prior to any operation, the corresponding working area must be secured in order to prevent danger of injury.  
• 操作之前，必须确保相关工作区域的安全以防止危险
- Make sure to keep to all safety instructions given by the required descriptions (e.g. Lubrication Instruction).  
• 确保遵循所有文件中规定的安全指南（如润滑指南）

**WARNING / 警告**

- When working in the area of the door leaf there is squeezing danger!!!  
• 在门扇区域工作时存在挤压受伤的危险，
- The concerning door area must be electrical disconnected and therefore taken out of service  
• 应断开相关车门的电气连接因此停止服务。

### 3 Maintenance and Overhaul Plan / 维护和大修计划

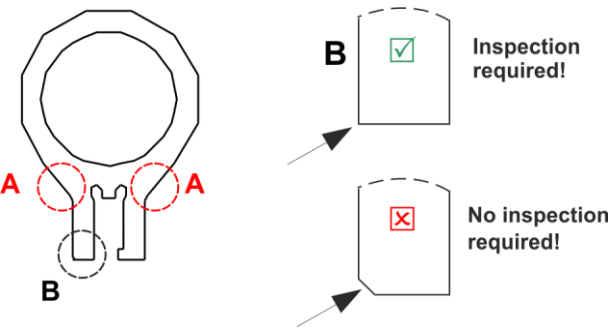

**NOTE / 注释**

after 2 weeks / 2 周后:

Check screws of assembly parts to find out if they are loose. (Check witness painting, if broken). In case they are loose, screws have to be removed, cleaned, applied with LOCTITE 243 and secured again with required torque setting.

检查安装部件的螺钉是否松动（检查防松漆是否破损）。如果已松动，应拆下螺钉并清洁然后施加 LOCTITE243 并以规定扭矩拧紧。

Maintenance activities / 维护行动	every 3 months/每 3 个月				
	Annually/每年				
	Every / 每				
	3	5	10		
	Years / 年				
Safety-Check in accordance with Safety-Checklist DDG10203E36. 依据安全检查单 DDG10203E36 进行安全检查	*				
Check painting in accordance with chapter 7 of Introduction and General Information DDG10203E01. 依据介绍说明和综合信息 DDG10203E01 第 7 章检查喷漆		*			
Visually check for flats at rollers of roller swing arm, roller on the door leaf carrier, and roller from roller bracket on the bottom door leaf area. Exchange defective component if required. 目检滚轮摇臂的滚轮是否磨损，以及门携架和门扇底部区域支架上的滚轮是否磨损。需要时更换缺陷部件			*		
Clean door seals and re-grease in accordance with Lubrication instruction DDG10203E05. 依据润滑指南 DDG10203E05 清洁门扇密封件并重新润滑			*		
Clean and re-grease guide rod in accordance with Lubrication instruction DDG10203E05. 依据润滑指南 DDG10203E05 清洁并重新润滑光杠				*	
Clean top guide rail and re-grease in accordance with Lubrication instruction DDG10203E05. 依据润滑指南 DDG10203E05 清洁顶部导轨并重新润滑				*	

Maintenance activities / 维护行动	every 3 months/每 3 个月				
	Annually/每年				
	Every / 每				
	3	5	10	Years / 年	
<p>Visual inspection for cracks in the radius area (A) on the right and left trolley on drive unit <sup>2.)</sup> and replace if necessary. 目检驱动机构左右小车上弯曲区域 (A) 是否有裂痕, 必要时更换</p> <p>1.) initial inspection is required after 3 years, 3 年后执行初次检查, 随后每 1 年检查一次</p> <p>2.) inspection is only required for trolleys without bevel on the trolley profile(B) 只要求检查小车型材 (B) 上没有斜面的小车</p> 				*	1.)
Clean drive spindle (item 14) and re-grease in accordance with Lubrication instruction DDG10203E05. 依据润滑指南 DDG10203E05 清洁丝杠并重新润滑				*	
Grease the components in the lock housing mechanism (item 5) in accordance with Lubrication instruction DDG10203R05. 依据润滑指南 DDG10203E05 润滑锁闭机构的部件				*	
Grease the components in the isolating lock (item 6) in accordance with Lubrication instruction DDG10203E05. 依据润滑指南 DDG10203E05 润滑隔离锁的部件				*	
Refurbishment of solenoid valve Y1, Y2, Y3, mounted on pneumatic control board using repair kit. 使用维修工具整修气动控制板上的阀门 Y1, Y2, Y3					*
Exchange cylinder in the lock housing mechanism (item 5) 更换锁闭机构中的气缸					*
Exchange of solenoid valve Y1, Y2, Y3, mounted on pneumatic control board using repair kit. 使用维修工具更换气动控制板上的气阀 Y1, Y2, Y3					*

Maintenance activities / 维护行动	every 3 months/每 3 个月				
	Annually/每年				
	Every / 每				
	3	5	10		
	Years / 年				
Exchange of pressure switch S15, mounted on pneumatic control board 更换安装在气动控制板上的压力开关 S15					*
Exchange rollers of roller swing arm (item 13), roller on the door leaf carrier (item 10) and roller at the holding bracket (item 18) on the door leaf. 更换滚轮摇臂的滚轮，门携架滚轮以及门扇支架上的滚轮					*
Exchange toothed belt onto linear spindle drive unit 更换线形丝杠驱动机构上的齿带					*
Exchange drive motor (M1) (item 11) 更换驱动电机 M1					*
Exchange spindle (item 14) in spindle drive unit 更换驱动机构丝杠					*
Exchange of 98% door closed limit switch S7 at lock housing mechanism. 更换锁闭机构限位开关 98%					*
Exchange door closed and locked limit switch S1 at isolating lock mechanism. 更换隔离锁限位开关门关闭和锁闭					*
New programming of EPROMS of electronic door control unit (item 12) 门控器 EPROM 重新编程					*
Exchange of the NOVRAM of the door control unit (item 12) 更换门控器的 NOVRAM					*
Exchange torsion spring of the lock housing mechanism (item 5) 更换锁闭机构的扭力弹簧					*
Exchange spring of the isolating lock mechanism (item 6). 更换隔离锁机构中的弹簧					*
Exchange buzzer H1 (item 20) on top of the header gear. 更换驱动机构上的蜂鸣器 H1					*

Maintenance activities / 维护行动	every 3 months/每 3 个月				
	Annually/每年				
	Every / 每				
	3	5	10	Years / 年	
Exchange limit switch "emergency device inside" S3 at emergency egress device (item 3). 更换内紧急的限位开关 S3					*
Exchange Magnet onto emergency egress device (item 07) 更换内紧急装置中的电磁铁					*
Exchange limit switch "emergency device outside" S8 at emergency access device (item 9). 更换外紧急限位开关 S8					*
Exchange all door seals 更换所有门密封					*
Exchange portal seal 更换门框密封条					*
Exchange rubber bump stop at door leaf carrier 更换门携架上的缓冲块					*
Exchange interior and exterior bowden cables (item 04) 更换内部和外部钢丝绳					*

#### 4 Issue Remark / 版本备注

Issue 版本	Date 日期	Prepared 准备	checked/released 检查 / 核发
00	2015.10.15	Lynette Li	Larry Yu
	item	modification First edition / 首版	

**DDSTE10788E20**

Rev. 00 - en

**Instruction Manual / 说明手册**

**Spare Part Catalogue / 备件目录**

**LHB**

Project-No. 66407G1A

Customer

Project-Part Single Leaf Sliding Plug Door / 单扇塞拉门

System SST-e1

Created: 2015.11.27  
Date

Checked: 2015.11.27  
Date

Lynette Li  
Name

Larry Yu  
Name

QIN-R/DOOERA  
Department Signature

QIN-R/DOAEME  
Department Signature

Released: 2015.11.27  
Date

Translated:  
Date

Jackie Wang  
Name

Name

QIN-R/DORDCM  
Department Signature

Department Signature

## Notice / 提示



### NOTE / 注意

IFE advises that in order to protect against danger, the installation of or the operation of our products or components is only to be undertaken by authorized personnel in accordance with appropriate technical instructions.

为了防御危险情况，IFE 建议，由专门授权人员按照每个说明和技术规定安装和操作我们的产品和部件。



### NOTE / 注意

IFE accepts no liability under the product liability laws for direct or consequential damage, arising from incorrect operation, incorrect installation or incorrect handling of products or components supplied by us.

IFE 对于由错误操作，错误安装或者对我们供应产品的错误处理产生的直接的或者间接损坏不接受任何产品责任法律下的责任。

## Revision History / 修订历史

Version 版本	Date 日期	Creator 创建	Inspector 审核
00	2015.11.27	Lynette Li	Larry Yu

Section 章节	Revision 修订
All / 全部	Initial edition. / 首版。

## Contact Address / 联系地址

IFE-Victall Railway Vehicle Door Systems (Qingdao) Co., Ltd.

IFE-威奥轨道车辆门系统(青岛)有限公司

Huanhai Economical and Technical Development Zone

Chengyang District

Xinghaizhi Road No.2

266108 Qingdao

P.R. China

中国青岛市城阳区环海经济技术开发区兴海支路 2 号

Phone: +86 0532 8793 8567

Fax : +86 0532 8493 1003

## Technical Changes / 技术变更

KNORR-BREMSE Division IFE Automatic Door System reserves the right to change products or this document at any time without giving special notice.

克诺尔集团 IFE 自动门系统分公司有权在任何时候、在不给予特别通知的情况下，更改产品或者本文件。

In the case of changes to product, this spare parts catalogue is no longer valid.

一旦产品变更，此备件目录将不再适用。

## Ordering spare parts / 订购备件

It is necessary to use the latest spare parts catalogue when ordering spare parts.

订购备件时必须使用最新的备件目录。

If you discover that products need to be renewed, only **KNORR-BREMSE original parts** are to be used.

如果客户发现产品需要更新，只能使用**克诺尔集团的原始部件**。

## General Information / 通用信息

The Spare part catalogue – a compilation of drawing and parts lists – is an effective aid for finding the needed part numbers of components making up the complete door entry system.

备件目录 – 一个图纸和零件清单的汇编 – 为寻找组成完整的入口门系统的部件编号提供有效的帮助。

## How the IFE part number is made up (Part Number column) / IFE 部件号的组成 (部件号列)

The part number is made up of the following:

部件号由以下组成:

- a) Drawing number e.g. T002541  
    图纸号            例如
- b) Heading number e.g. R97  
    标题号            例如

When ordering, it is important that you note the complete part number, made up of part number and heading number, on your order form.

订购时，在订购表格中注明由图纸号和标题号组成的完整的部件号非常重要。

## Hints on finding the required components / 查找所需部件的提示

The table of contents lists all explosion drawings groups with the corresponding page number. To find the part number of the corresponding parts, you even have to turn to the given page and find the part number under the relevant item number.

目录列出了所有爆炸图，附带相应页次。为了找出相关零件的零件号，你必须翻到给定页次，然后在相关项目号下找出零件号。

The assemblies which are dismantled in separate steps are indicated on the drawing by the item numbers in the circles. If you look under the "Page" column of the tables for these items, you will see the number of the page where you can find the individual parts of these assemblies.

可进一步拆分的总成件在图纸上其编号用圆圈标出。如果你在表格“页码”列中查找这些编号，你会看到页码，在相应页上你能找到这些总成件的独立部件。

## Classification of the door components / 车门部件的分类

In the Spare part catalogue, the column „Spare Part Type“ gives a classification of the individual components that is broken down as follows:

在备件目录中，“备件类型”这一列给出了部件分类，具体如下：

WEC	Definition / 定义
A	Parts subject to wear 损耗件
B	Spare parts that we recommend you keep in stock 建议用户存货的备件
C	Structural and standard parts that are not subject to ware 不受磨损的结构件和标准件

## Table of Contents / 目录表

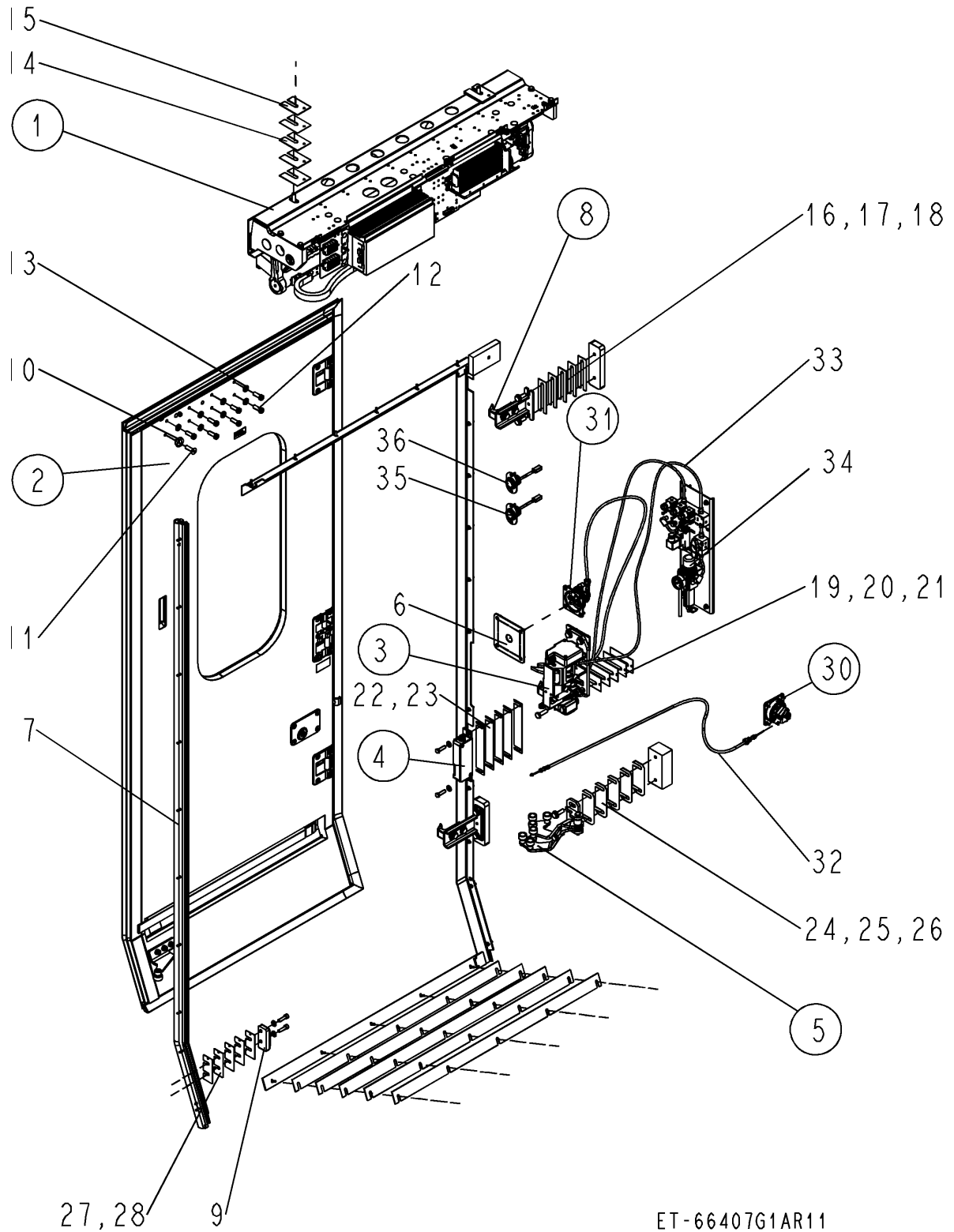
<b>T0</b>	<b>Scope of supply / 供货范围</b>	<b>6</b>
<b>T1</b>	<b>Scope of supply / 供货范围</b>	<b>7</b>
T2	Drive Unit / 驱动机构	10
T3	Roller Rocker Guide / 滚珠摇臂	15
T4	Motor Assembly / 电机组件	18
T5	Cabling / 布线	20
T6	Cabling / 布线	22
T7	Door Leaf / 门扇	26
T8	Roller Bracket Assembly / 滚轮支架	30
T9	Main lock Assembly / 主锁	32
T10	Cabling / 布线	36
T11	Bolt Box / 锁盒	37
T12	Roller swing arm / 滚轮摇臂	39
T13	Catch hook / 锁钩	41
T14	Emergency device / 紧急装置	43
T15	Operating lever / 操作柄	46
T16	Cabling / 布线	48
T17	Emergency device / 紧急装置	49
T18	Cabling / 布线	52
T21	E. Parts Loose / 电气散件	53
<b>T22</b>	<b>Scope of supply / 供货范围</b>	<b>54</b>
T23	Drive Unit / 驱动机构	57
T24	Roller Rocker Guide / 滚珠摇臂	62
T25	Motor Assembly / 电机组件	65
T26	Cabling / 布线	67
T27	Door Leaf / 门扇	71
T28	Roller Bracket Assembly / 滚轮支架	75
T29	Main lock Assembly / 主锁	77
T30	Bolt Box / 锁盒	81
T31	Roller swing arm / 摇臂滚轮	83
<b>T32</b>	<b>Scope of supply / 供货范围</b>	<b>85</b>
T33	Door Leaf / 门扇	88
<b>T34</b>	<b>Scope of supply / 供货范围</b>	<b>92</b>
T35	Door Leaf / 门扇	95

## T0 Scope of supply / 供货范围

T0: Ordering information: 订购信息							
Pos. 件号	Item number 部件号	Cust. Number 客户编号	Quantity 数量	Unit 单位	Name 名称	WEC 类别	Page 页码

	<b>DDSTE10788E20</b>				<b>SCOPE OF SUPPLY 供货范围</b>		
1	66407G1AR11			Pce	SCOPE OF SUPPLY 供货范围	C	7
2	66407G1AR12			Pce	SCOPE OF SUPPLY 供货范围	C	54
3	66407G1AR13			Pce	SCOPE OF SUPPLY 供货范围	C	85
4	66407G1AR14			Pce	SCOPE OF SUPPLY 供货范围	C	92

**T1 Scope of supply / 供货范围**



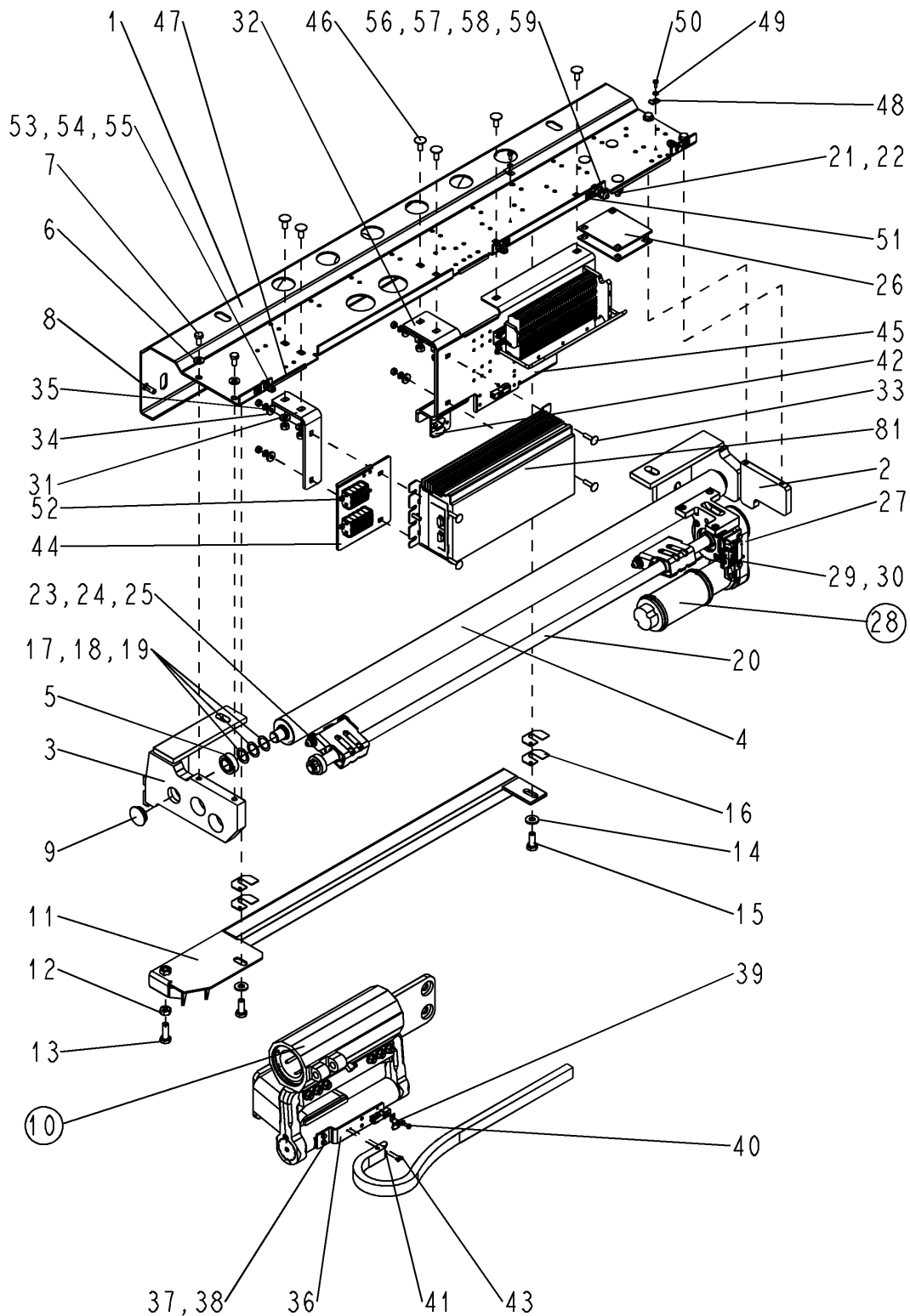
ET-66407G1AR11

T1: Ordering information: 订购信息							
Pos. 件号	Item number 部件号	Cust. Number 客户编号	Quantity 数量	Unit 单位	Name 名称	WEC 类别	Page 页码

66407G1AR11		SCOPE OF SUPPLY 供货范围					
01	3TD08370R09		1	Pce	Drive 驱动机构	C	10
02	3T003958R19		1	Pce	Door Leaf Complete 门扇	C	26
03	3T103520R53		1	Pce	Main Lock 主锁	C	32
04	3T201883R21		1	Pce	Bolt Box 锁盒	C	37
05	3TD90530R03		1	Pce	Rolling Arm 滚轮摇臂	C	39
06	3TD90527R01		1	Pce	Plastic Panel 塑料板	C	
07	3TD90515R29		1	Pce	Sealing Strip 密封夹条	B	
08	3T404165R26		2	Pce	Catch Hook 锁钩	C	41
09	3KT202251R05		1	Pce	Arrester Block 固定底座	C	
10	3KT408879R02		1	Pce	Eccentric 偏心垫片	C	
11	477990		1	Pce	Countersunk Screw 沉头螺栓	C	
12	7B1401107		7	Pce	Machine Screw 机用螺栓	C	
13	3TD81440R16		7	Pce	Washer 垫圈	C	
14	3T304858R31		20	Pce	Shim 垫片	C	
15	3T304858R32		12	Pce	Shim 垫片	C	
16	3TD90423R10		6	Pce	Shim 垫片	C	
17	3TD90423R38		4	Pce	Shim 垫片	C	
18	3TD90423R39		2	Pce	Shim 垫片	C	
19	3TD90423R45		6	Pce	Shim 垫片	C	
20	3TD90423R46		4	Pce	Shim 垫片	C	

<b>T1: Ordering information:</b> 订购信息							
Pos. 件号	Item number 部件号	Cust. Number 客户编号	Quantity 数量	Unit 单位	Name 名称	WEC 类别	Page 页码
21	3TD90423R47		2	Pce	Shim 垫片	C	
22	3TD90516R102		5	Pce	Shim 垫片	C	
23	3TD90516R101		1	Pce	Shim 垫片	C	
24	3TD90423R09		3	Pce	Shim 垫片	C	
25	3TD90423R40		2	Pce	Shim 垫片	C	
26	3TD90423R41		1	Pce	Shim 垫片	C	
27	3TD90423R43		4	Pce	Shim 垫片	C	
28	3TD90423R44		2	Pce	Shim 垫片	C	
29	3TD90516R10		34	Pce	Shim 垫片	C	
30	3TD90524R19		1	Pce	Emergency Device 紧急装置	C	43
31	3TD90524R20		1	Pce	Emergency Device 紧急装置	C	49
32	3TD90537R37		2	Pce	Bowden Cable 钢丝绳	B	
33	OSN400222P04		6	m	Pipe 气管	C	
34	3ED90201R03_C01		1	Pce	Pneum.Control Unit 气动控制单元	C	
35	3ED99061R33_C01		1	Pce	Button 按钮	B	
36	3ED99061R34_C01		1	Pce	Button 按钮	B	
37	3ED90002R75_C01		1	Pce	E-Loose Part 电气散件	C	53

**T2 Drive Unit / 驱动机构**



ET-3TD08370R09

**T2: Ordering information:**  
**订购信息**

Pos. 件号	Item number 部件号	Cust. Number 客户编号	Quantity 数量	Unit 单位	Name 名称	WEC 类别	Page 页码
------------	--------------------	----------------------	----------------	------------	------------	-----------	------------

<b>3TD08370R09</b>					<b>Drive unit 驱动机构</b>		
01	3TD08371R03		1	Pce	Support Bracket 支撑支架	C	
02	3T202745R63		1	Pce	Bearing Bracket 轴承支架	C	
03	3T202745R29		1	Pce	Bearing Bracket 轴承支架	C	
04	3TD08375R01_C01		1	Pce	Guide Rod 光杠	C	
05	3D0006000		2	Pce	Swivel Bearing 平面轴承	C	
06	7M6108857		13	Pce	Spring Washer 弹簧垫圈	C	
07	7A0602307		4	Pce	Hex-Head Bolt 六角螺栓	C	
08	478035		2	Pce	Countersunk Screw 沉头螺栓	C	
09	0VN401666R02		2	Pce	Protective Plug 保护插头	C	
10	3T102292R39		1	Pce	Roller Rocker Guide 滚珠摇臂	B	15
11	3TD08376R01_C01		1	Pce	Guide Rail 导轨	C	
12	7L5202107		1	Pce	Hexagon Nut 六角螺母	C	
13	7A0603707		1	Pce	Hex-Head Bolt 六角螺栓	C	
14	7M6108867		2	Pce	Spring Washer 弹簧垫圈	C	
15	7A0603607		2	Pce	Hex-Head Bolt 六角螺栓	C	
16	3KT403595R72		4	Pce	Washer 垫圈	C	
17	7U9251150		2	Pce	Shim 垫片	C	
18	7U9251160		2	Pce	Shim 垫片	C	
19	7U9251170		2	Pce	Shim 垫片	C	
20	3T003399R83		1	Pce	Linear Actuator 丝杠组件	C	

<b>T2: Ordering information:</b> 订购信息							
Pos. 件号	Item number 部件号	Cust. Number 客户编号	Quantity 数量	Unit 单位	Name 名称	WEC 类别	Page 页码
21	7C1702207		3	Pce	Coach Bolt 方颈螺栓	C	
22	7L5201707		11	Pce	Hexagon Nut 六角螺母	C	
23	3T406422R28		1	Pce	Pin 销	C	
24	3TD00658R21		1	Pce	Washer 垫圈	C	
25	EAU17DA		1	Pce	Hexagon Nut 六角螺母	C	
26	3TD90037R01		2	Pce	Plate 板	C	
27	3KN401349R31		1	Pce	Htd-Toothed Belt 齿带	B	
28	3T203272R29		1	Pce	Motor Assembly 电机组件	B	18
29	8101280254		3	Pce	Machine Screw 机用螺栓	C	
30	7L5201407		13	Pce	Hexagon Nut 六角螺母	C	
31	3TD90541R31		1	Pce	Dcu Bracket 门控器支架	C	
32	3TD90541R33		1	Pce	Dcu Bracket 门控器支架	C	
33	475238		4	Pce	Coach Bolt 方颈螺栓	C	
34	7M6108997		4	Pce	Washer 垫圈	C	
35	450488		10	Pce	Washer 垫圈	C	
36	3TD12848R01		1	Pce	Bracket 支架	C	
37	468811		3	Pce	Washer 垫圈	C	
38	7A0600350		2	Pce	Hex-Head Bolt 六角螺栓	C	
39	3T411409R12		1	Pce	Bracket 支架	C	
40	T1481053		1	Pce	Pan-Head Screw 盘头螺栓	C	
41	8DN300340R11		1	Pce	Chain Connector 链接头	C	

<b>T2: Ordering information:</b> 订购信息							
Pos. 件号	Item number 部件号	Cust. Number 客户编号	Quantity 数量	Unit 单位	Name 名称	WEC 类别	Page 页码
42	8DN300340R12		1	Pce	Chain Connector 链接头	C	
43	7D2602200		4	Pce	Countersunk Screw 沉头螺栓	C	
44	3TD90520R97		1	Pce	Electronic Bracket 电气支架	C	
45	3TD90541R29		1	Pce	Terminal Board 端子排底板	C	
46	7C1702017		6	Pce	Coach Bolt 方颈螺栓	C	
47	8TN401944R05		0.6	m	Edge Guard 边缘保护	C	
48	3N401249R51		2	Pce	Clamp 夹子	B	
49	7M6108821		2	Pce	Spring Washer 弹簧垫圈	C	
50	7D2203307		2	Pce	Pan-Head Screw 盘头螺栓	C	
51	7UN401337R11		6	Pce	Label 标签	C	
52	T1481030		4	Pce	Pan-Head Screw 盘头螺栓	C	
53	7A0601757		3	Pce	Hex-Head Bolt 六角螺栓	C	
54	470360		6	Pce	Spring Washer 弹簧垫圈	C	
55	469639		3	Pce	Spring Washer 弹簧垫圈	C	
56	7A0602627		1	Pce	Hex-Head Bolt 六角螺栓	C	
57	470361		2	Pce	Spring Washer 弹簧垫圈	C	
58	7M5803807		2	Pce	Washer 垫圈	C	
59	469640		1	Pce	Spring Washer 弹簧垫圈	C	
60	3N401099R10		1	Pce	Adhesive Label 粘性标签	C	
61	8EN401218R03		40	Pce	Cable Tie 扎带	C	
62	7UN402019R01		18	Pce	Adhesive Label 粘性标签	C	

<b>T2: Ordering information:</b> 订购信息							
Pos. 件号	Item number 部件号	Cust. Number 客户编号	Quantity 数量	Unit 单位	Name 名称	WEC 类别	Page 页码
63	3ED90071R37_C01		1	Pce	Cabling 布线	C	20
-							
80	3ED90161R03_C01		1	Pce	Cabling 布线	C	22
81	3ED01921R52		1	Pce	Door Control Unit 门控器	B	



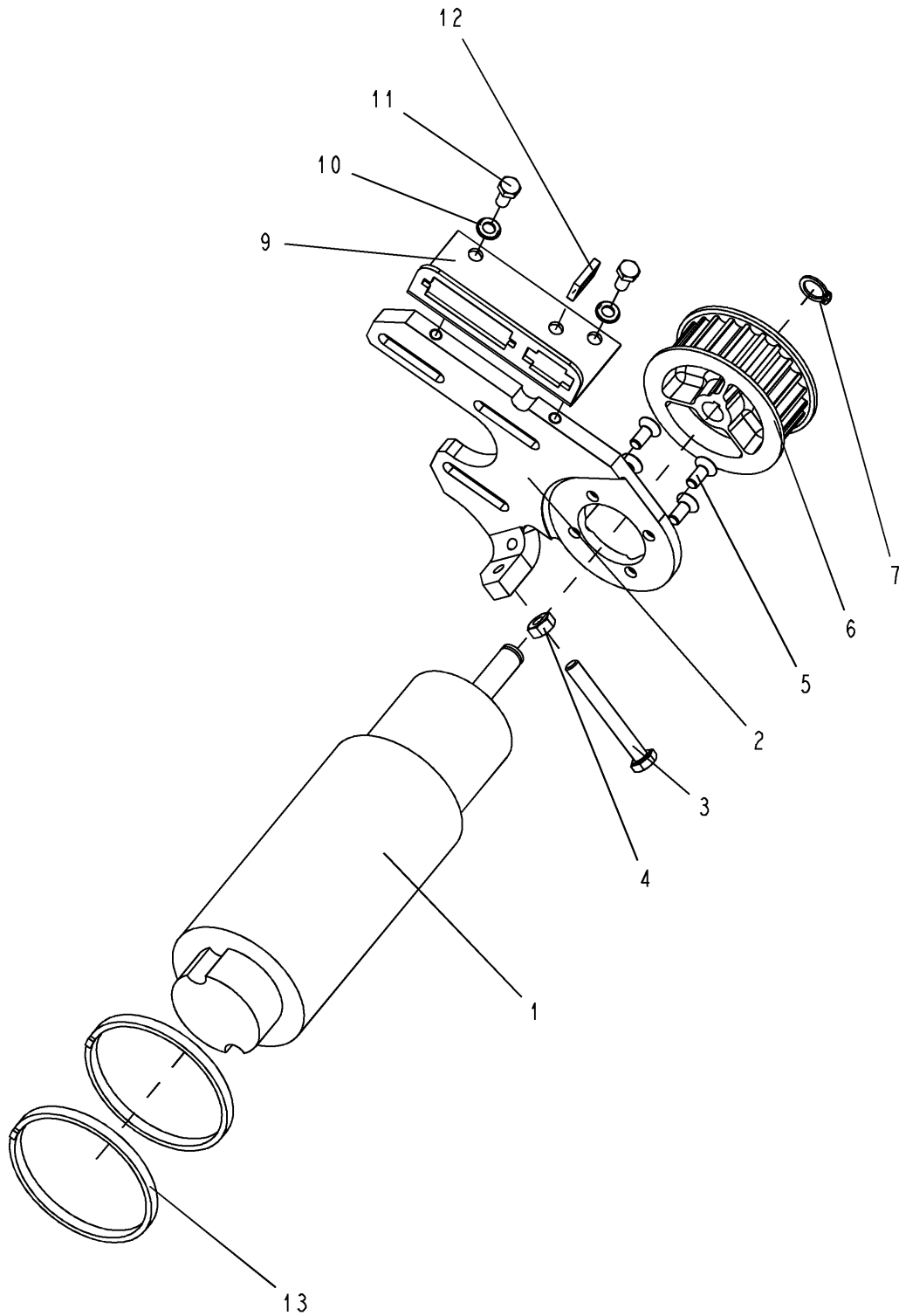
**T3: Ordering information:**  
**订购信息**

Pos. 件号	Item number 部件号	Cust. Number 客户编号	Quantity 数量	Unit 单位	Name 名称	WEC 类别	Page 页码
------------	--------------------	----------------------	----------------	------------	------------	-----------	------------

	<b>3T102292R39</b>				<b>Roller Rocker Guid 滚珠摇臂</b>		
01	3T202384R51		1	Pce	Trolley Carrier 门携架	C	
02	3N300466R06		2	Pce	Spherical Liner 球形衬	C	
03	3WT405094R03		1	Pce	Lubricating Ring 润滑环	C	
04	3KT305107R13		1	Pce	Doorleaf Carrier S 门携架连杆轴承	C	
05	3KT305097R13		1	Pce	Doorleaf Carrier S 门携架连杆轴承	C	
06	3KT403595R75		4	Pce	Washer 垫圈	C	
07	7M5803807		6	Pce	Washer 垫圈	C	
08	451759		6	Pce	Hex-Head Bolt 六角螺栓	C	
09	7M6108857		6	Pce	Spring Washer 弹簧垫圈	C	
10	7L5201707		6	Pce	Hexagon Nut 六角螺母	C	
11	7U9701507		1	Pce	Grease Nipple 润滑嘴	C	
12	3D0006000		2	Pce	Swivel Bearing 旋转轴承	C	
13	3KT408657R01		1	Pce	Eccentric 偏心垫	C	
14	3T102036R35		1	Pce	Door Leaf Carrier 门携架	C	
15	3NT400985R01		1	Pce	Roller 滚轮	B	
16	7S8300700		1	Pce	Retaining Ring 扣环	C	
17	0VN401666R02		1	Pce	Protective Plug 保护插头	C	
18	3DN400826R24		1	Pce	Rubber Buffer 橡胶缓冲	B	
19	7L5202107		1	Pce	Hexagon Nut 六角螺母	C	
20	7D2204301		1	Pce	Oval-Head Screw 盘头螺栓	C	

<b>T3: Ordering information:</b> 订购信息							
Pos. 件号	Item number 部件号	Cust. Number 客户编号	Quantity 数量	Unit 单位	Name 名称	WEC 类别	Page 页码
21	7S8404200		2	Pce	Retaining Ring 扣环	C	
22	7U9251150		1	Pce	Shim 垫片	C	
23	7U9251160		1	Pce	Shim 垫片	C	
24	7U9251170		1	Pce	Shim 垫片	C	
25	3KT403595R92		2	Pce	Washer 垫圈	C	
26	3TD90519R29		2	Pce	Shim 垫片	C	
27	3TD90519R30		6	Pce	Shim 垫片	C	
31	0VN401284R01		2	Pce	Taper Plug 锥度塞	C	
32	7A0601307		1	Pce	Hex-Head Bolt 六角螺栓	C	
33	469639		2	Pce	Spring Washer 弹簧垫圈	C	
34	7M5803309		2	Pce	Washer 垫圈	C	
35	470360		2	Pce	Spring Washer 弹簧垫圈	C	
36	7A0601457		1	Pce	Hex-Head Bolt 六角螺栓	C	
37	3N401249R14		2	Pce	Clamp 夹子	B	
38	7D2203200		2	Pce	Oval-Head Screw 盘头螺栓	C	
39	468811		2	Pce	Washer 垫圈	C	

T4 Motor Assembly / 电机组件

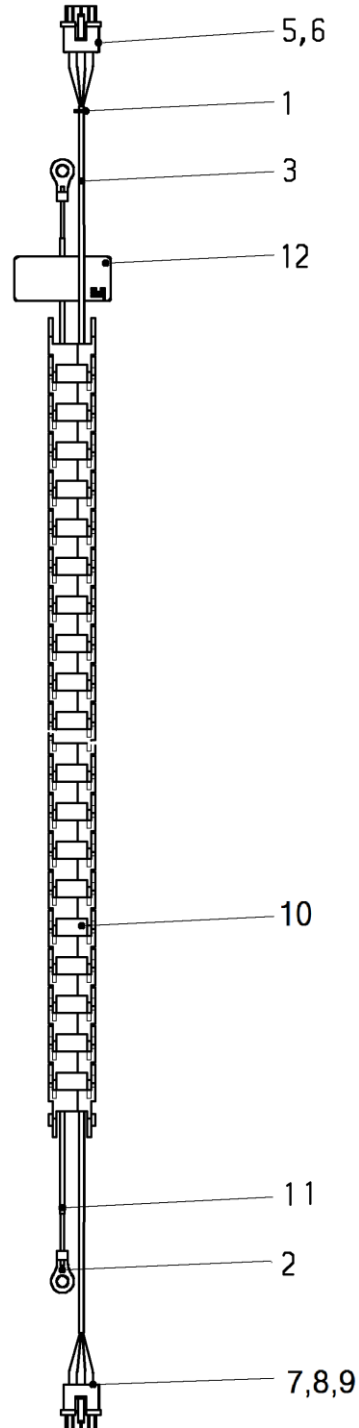


ET-3T203272R29

T4: Ordering information: 订购信息							
Pos. 件号	Item number 部件号	Cust. Number 客户编号	Quantity 数量	Unit 单位	Name 名称	WEC 类别	Page 页码

	<b>3T203272R29</b>				<b>Motor Assembly 电机组件</b>		
01	3KN300406R96		1	Pce	Geared Motor 齿轮电机	B	
02	3T307437R05		1	Pce	Motor Bracket 电机支架	C	
03	7A0601907		1	Pce	Hex-Head Bolt 六角螺栓	C	
04	7L5201407		1	Pce	Hexagon Nut 六角螺母	C	
05	475096		4	Pce	Countersunk Screw 沉头螺栓	C	
06	3KT408221R07		1	Pce	Toothed Washer Hdt 带齿垫圈	C	
07	7S8300507		1	Pce	Retaining Ring 扣环	C	
09	3T307228R05		1	Pce	Bracket 支架	C	
10	474771		2	Pce	Washer 垫圈	C	
11	7A0600450		2	Pce	Hex-Head Bolt 六角螺栓	C	
12	8EN401218R03		1	Pce	Cable Tie 扎带	C	
13	8EN401218R01		2	Pce	Cable Tie 扎带	C	

T5 Cabling / 布线



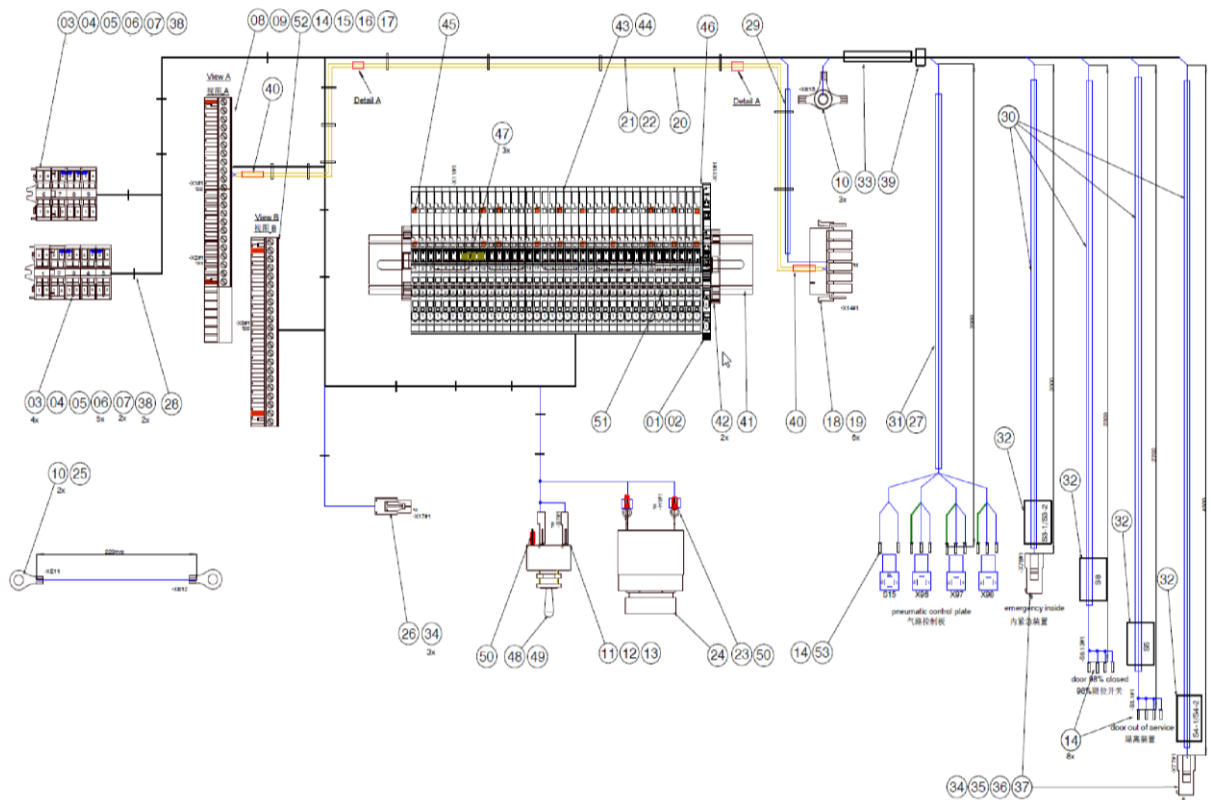
ET-3ED90071R37\_C01

**T5: Ordering information:**  
订购信息

Pos. 件号	Item number 部件号	Cust. Number 客户编号	Quantity 数量	Unit 单位	Name 名称	WEC 类别	Page 页码
------------	--------------------	----------------------	----------------	------------	------------	-----------	------------

	3ED90071R37_C01				<b>Cabling 布线</b>		
01	7UN401099R12		2	Pce	Ife Name Plate IFE 铭牌	C	
02	8E1202200		4	Pce	Ring Cable Terminal 环形线缆端	C	
03	3ED01101R01		1.5	m	Cable 芯线	C	
-							
05	8FN401891R03		1	Pce	Plug 插头	C	
06	8FN401893R12		4	Pce	Pin 销	C	
07	3ED00054R12		1	Pce	Connector Mmnl S 插头	C	
08	3ED00056R21		4	Pce	Connector Mmnl S 插头	C	
09	3ED00056R12		4	Pce	Bush 衬套	C	
10	8DN300340R02		0.66	m	Energy Chain 坦克链	C	
11	8CN401644R01		1.5	m	Cable 芯线	C	
12	8D1003000		0.07	m	Shrinkable Tubing 热缩套管	C	
13	8AN400509P26		0.15	m	Lead 芯线	C	

T6 Cabling / 布线



ET-3ED90161R03\_C01

T6: Ordering information: 订购信息							
Pos. 件号	1	Cust. Number 客户编号	Quantity 数量	Unit 单位	Name 名称	WEC 类别	Page 页码

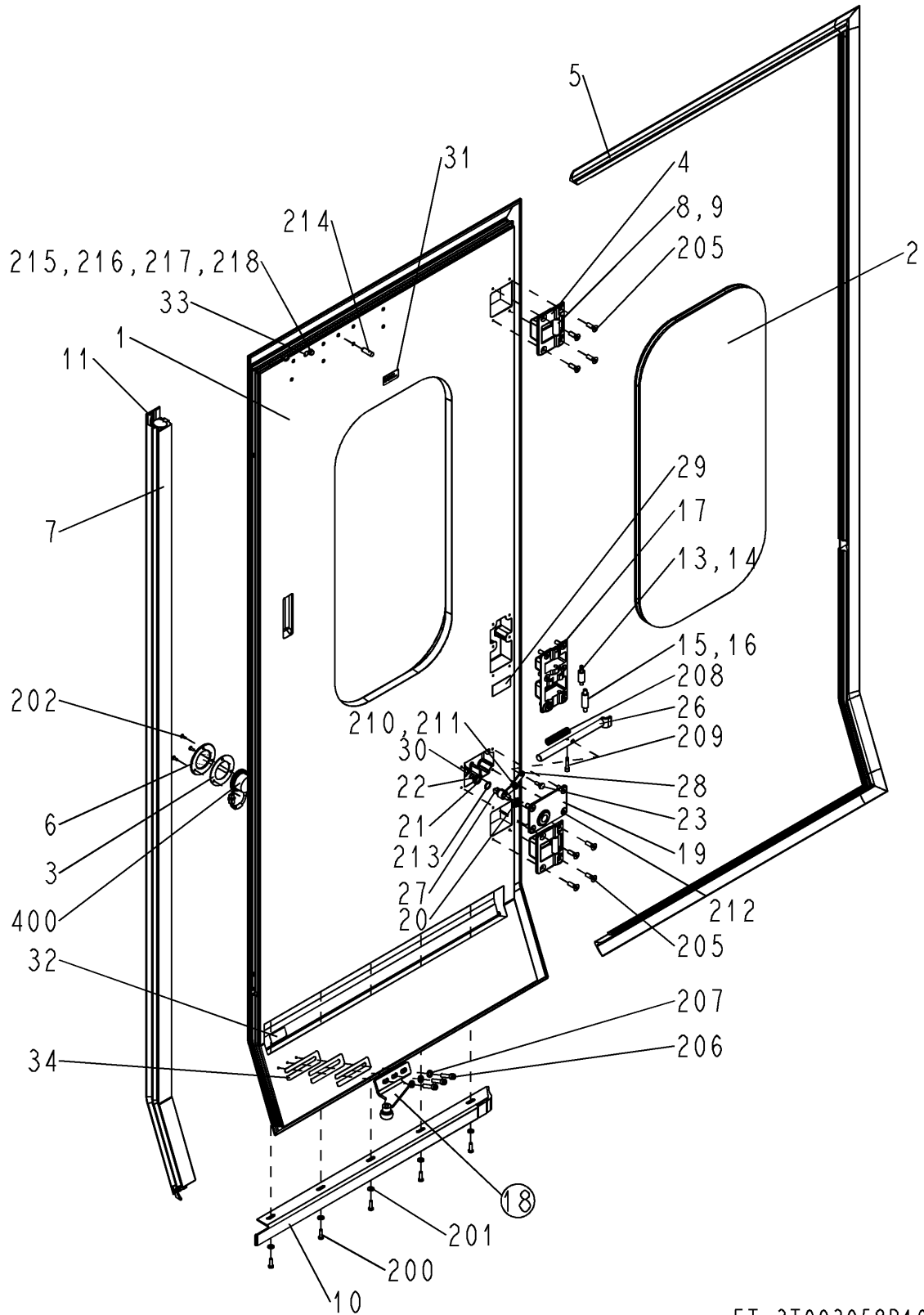
	3ED90161R03_C01				<b>Cabling 布线</b>		
01	3ED00321R02		1	Pce	Optocoupler 光耦	C	
02	3ED00321R03		1	Pce	Optocoupler 光耦	C	
03	8FN300370R02		7	Pce	Terminal Block 接线端子	C	
04	8FN300370R11		2	Pce	Terminal Block 接线端子	C	
05	8FN300370R04		2	Pce	Terminal Block 接线端子	C	
06	8FN300370R31		9	Pce	Terminal Block 接线端子	C	
07	8FN300370R12		4	Pce	Terminal Block 接线端子	C	
08	8FN401266R11		1	Pce	Connector Combicon 门控插头	C	
09	3ED00231R03		1	Pce	Connector Combicon 门控插头	C	
10	8E1202200		5	Pce	Ring Cable Terminal 环形电缆端	C	
11	8EN400261P12		2	Pce	Insulating Sleeve 绝缘套管	C	
12	8EN402079R02		1	Pce	Receptacle 电容	C	
13	8EN402079R09		1	Pce	Receptacle 电容	C	
14	8E1205200		64	Pce	Wire End Sleeve 线端套	C	
15	8E1205300		3	Pce	Wire End Sleeve 线端套	C	
16	8FN402237R05		3	Pce	Wire End Sleeve 线端套	C	
17	8FN402237R04		4	Pce	Wire End Sleeve 线端套	C	
18	8FN401229R03		1	Pce	Connector Mnl 插头	C	
19	8FN401044R05		6	Pce	Connector Mnl 插头	C	
20	3ED99001R81_C01		3	m	Cable 电缆	C	

T6: Ordering information: 订购信息							
Pos. 件号	1	Cust. Number 客户编号	Quantity 数量	Unit 单位	Name 名称	WEC 类别	Page 页码

21	3ED99001R23_C01		80	m	Lead 芯线	C	
22	3ED99001R24_C01		30	m	Lead 芯线	C	
23	8E1200500		2	Pce	Ring Cable Terminal 环形电缆端	C	
24	3ED99051R05_C01		1	Pce	Warning Device 报警装置	C	
25	8AN402249R03		0.7	m	Lead 芯线	C	
26	8FN401892R03		1	Pce	Plug 插头	C	
27	8DN401172R04		2	m	Braided Hose 编织管	C	
28	8EN401218R03		54	Pce	Cable Tie 扎带	C	
29	8D1001600		0.21	m	Tube 管	C	
30	8DN401172R02		19.2	m	Braided Hose 编织管	C	
31	8AN402080R02		16.22	m	Line 线	C	
32	7UN300409R97		4	Pce	Identification Sleeve 鉴定套	C	
33	8DN401367R20		0.66	m	Tube 管	C	
34	8FN401893R09		11	Pce	Bush 衬套	C	
35	3ED00054R13		2	Pce	Connector Mmnl S 插头	C	
36	3ED00056R21		8	Pce	Connector Mmnl S 插头	C	
37	3ED00054R31		2	Pce	Connector Mmnl S 插头	C	
38	7D2202200		4	Pce	Oval-Head Screw 盘头螺栓	C	
39	7UN401099R12		2	Pce	Ife Name Plate IFE 铭牌	C	
40	8D1003000		0.08	m	Shrinkable Tubing 热缩管	C	
41	3ED00230R07		1	Pce	Support Rail 支撑轨	C	

<b>T6: Ordering information:</b> 订购信息							
Pos. 件号	1	Cust. Number 客户编号	Quantity 数量	Unit 单位	Name 名称	WEC 类别	Page 页码
42	8FN401189R03		2	Pce	Terminal Block 接线端子	C	
43	3ED00015R01		38	Pce	Terminal Block 接线端子	C	
44	8FN300370R31		38	Pce	Terminal Block 接线端子	C	
45	3ED00015R15		20	Pce	Terminal Block 接线端子	C	
46	3ED00015R03		1	Pce	Terminal Block 接线端子	C	
47	8FN300179R12		3	Pce	Terminal Block 接线端子	C	
48	8HN401198R02		1	Pce	Switch 开关	B	
49	8HN401514R04		1	Pce	Label 标签	C	
50	8D1003100		0.12	m	Shrinkable Tubing 热缩套管	C	
51	3ED00376R12		1	Pce	Zener Diode 二极管	B	
52	8FN401266R12		1	Pce	Connector Combicon 门控插头	C	
53	8E1205400		3	Pce	Wire End Sleeve 线缆端	C	
54	3ED90201R04_C01		3	Pce	Pneumatic control unit 气动控制单元	C	

**T7 Door Leaf / 门扇**



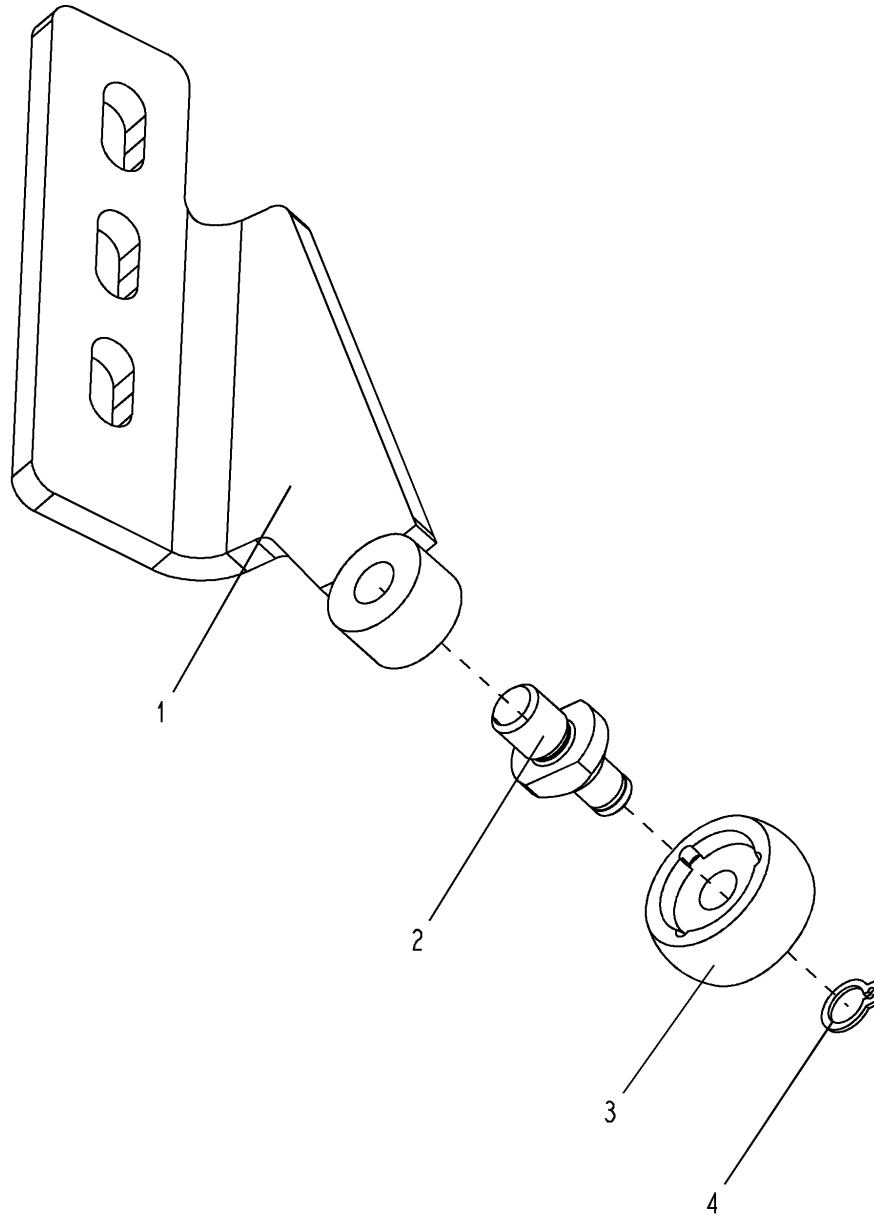
ET-3T003958R19

<b>T7: Ordering information:</b> 订购信息							
Pos. 件号	Item number 部件号	Cust. Number 客户编号	Quantity 数量	Unit 单位	Name 名称	WEC 类别	Page 页码
	<b>3T003958R19</b>				<b>Door Leaf</b> 门扇		
001	3TD04339R11		1	Pce	Raw Doorleaf Panel 坯门板	C	
002	3TD04235R03		1	Pce	Window Pane 窗玻璃	C	
003	3T400825R05		1	Pce	Sealing Disc 密封片	C	
004	3TD15671R02		2	Pce	Roller Bracket 滚轮支架	C	
005	3TD15653R03		1	Pce	Sealing Frame 密封框	C	
006	3TD04549R05		1	Pce	Cover Ring 外挡圈	C	
007	3TD04333R11		1	Pce	Finger Prot Rubber 护指胶条	B	
008	3KT403095R05		2	Pce	Roller 滚轮	B	
009	3T403668R10		2	Pce	Roller Pin 滚轮销	C	
010	3TD04356R04		1	Pce	Guide Rail 导轨	C	
011	3TD14379R08		2	Pce	Cellular Rubber 海绵橡胶	B	
-							
013	3KT403095R06		1	Pce	Roller 滚轮	B	
014	3T403668R11		1	Pce	Roller Pin 滚轮销	C	
015	3KT403095R07		1	Pce	Roller 滚轮	B	
016	3T403668R12		1	Pce	Roller Pin 滚轮销	C	
017	3TD08418R07		1	Pce	Roller Bracket 滚轮支架	C	
018	3TD04373R39		1	Pce	Roller Bracket 滚轮支架	C	30
019	3TD08417R07		1	Pce	Cover 盖	C	

T7: Ordering information: 订购信息							
Pos. 件号	Item number 部件号	Cust. Number 客户编号	Quantity 数量	Unit 单位	Name 名称	WEC 类别	Page 页码
020	3JT402864R01		1	Pce	Bush 衬套	C	
021	3JT402864R02		1	Pce	Bush 衬套	C	
022	3JN400373P35		1	Pce	O-Ring O型圈	C	
023	3JT402779R01		1	Pce	Threaded Rod 螺纹杆	C	
024	7UN400584P25		1	Pce	Bearing 轴承	C	
025	7UN400584P26		1	Pce	Bearing 轴承	C	
026	3T302108R40		1	Pce	Bolt 螺栓	C	
027	3PT402866R11		1	Pce	Locking Pin 锁闭销	C	
028	3JT402782R02		1	Pce	Lever 杠杆	C	
029	3KT411415R01		1	Pce	Sheet Metal 钣金件	C	
030	3T409359R07		1	Pce	Collar 挡圈	C	
031	7UN400999R05		1	Pce	Plate 板	C	
032	7UN401099R03		1	Pce	Ife Name Plate IFE 铭牌	C	
033	7UN401337R11		1	Pce	Label 标签	C	
034	3TD90423R32		3	Pce	Shim 垫片	C	
-							
200	7A0601400		6	Pce	Hex-Head Bolt 六角螺栓	C	
201	3KN460000R65		6	Pce	Lock Washer 锁紧垫圈	C	
202	3ED00328R24		3	Pce	Countersunk Screw 沉头螺栓	C	
-							
205	478010		14	Pce	Countersunk Screw 沉头螺栓	C	

<b>T7: Ordering information:</b> 订购信息							
Pos. 件号	Item number 部件号	Cust. Number 客户编号	Quantity 数量	Unit 单位	Name 名称	WEC 类别	Page 页码
206	7B1203300		3	Pce	Machine Screw 机用螺栓	C	
207	467765		3	Pce	Washer 垫圈	C	
208	3J0041630		1	Pce	Tension Spring 涨紧弹簧	B	
209	3JT402810R01		1	Pce	Pin 销	C	
210	7L5201407		1	Pce	Hexagon Nut 六角螺母	C	
211	476443		1	Pce	Washer 垫圈	C	
212	469533		4	Pce	Countersunk Screw 沉头螺栓	C	
213	7U9245200		2	Pce	Shim 垫片	C	
214	7Q7605660		1	Pce	Straight Pin 直销子	C	
215	7M5803309		1	Pce	Washer 垫圈	C	
216	477965		1	Pce	Spring Washer 弹簧垫圈	C	
217	7A0601457		1	Pce	Hex-Head Bolt 六角螺栓	C	
218	475976		1	Pce	Spring Washer 弹簧垫圈	C	
-							
400	3ED00615R01		1	Pce	Button 按钮	B	
401	3ED90051R26_C01		1	Pce	Wiring Harness 线束	C	

T8 Roller Bracket Assembly / 滚轮支架



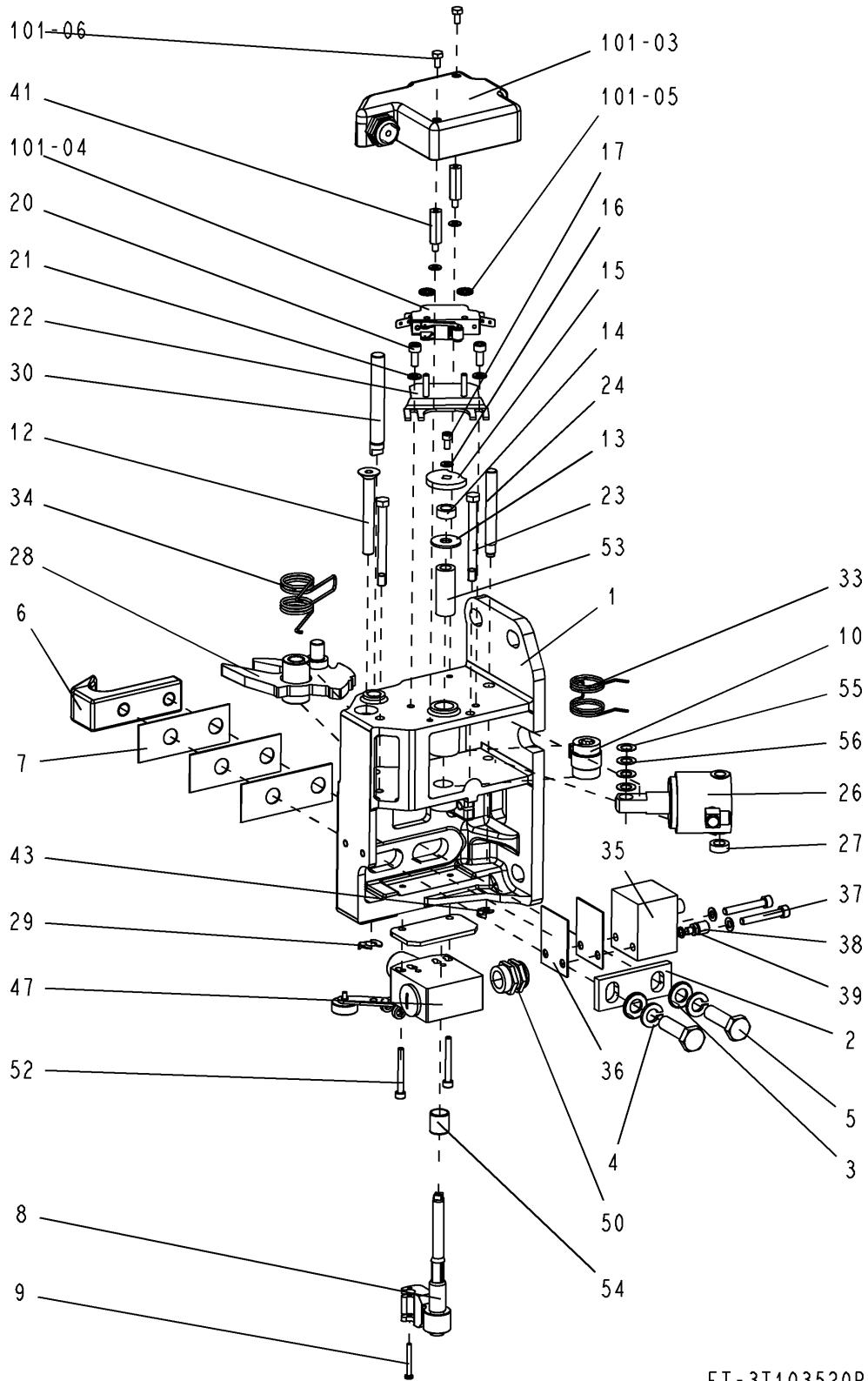
ET-3TD04373R39

<b>T8:</b>	<b>Ordering information:</b> 订购信息						
------------	--------------------------------------	--	--	--	--	--	--

Pos. 件号	Item number 部件号	Cust. Number 客户编号	Quantity 数量	Unit 单位	Name 名称	WEC 类别	Page 页码
------------	--------------------	----------------------	----------------	------------	------------	-----------	------------

	<b>3TD04373R39</b>				<b>Roller Bracket Assembly</b> 滚轮支架组件		
001	3TD04374R15		1	Pce	Roller Bracket 滚轮支架	C	
002	3WT407666R01		1	Pce	Pin 销	C	
003	3ET401232R01		1	Pce	Roller 滚轮	B	
004	7S8300400		1	Pce	Retaining Ring 扣环	C	

**T9 Main lock Assembly / 主锁**



ET-3T103520R53

**T9: Ordering information:**  
**订购信息**

Pos. 件号	Item number 部件号	Cust. Number 客户编号	Quantity 数量	Unit 单位	Name 名称	WEC 类别	Page 页码
------------	--------------------	----------------------	----------------	------------	------------	-----------	------------

<b>3T103520R53</b>					<b>Main Lock</b> <b>主锁</b>		
01	3JT101521R91_C01		1	Pce	Lock Mounting Frame 主锁框架	C	
02	3T404166R15		1	Pce	Washer 垫圈	C	
03	450671		2	Pce	Washer 垫圈	C	
04	7N6501607		2	Pce	Lock Washer 锁紧垫圈	C	
05	7A0603857		2	Pce	Hex-Head Bolt 六角螺栓	C	
06	3T404165R17		1	Pce	Catch Hook 锁钩	C	
07	3JT404166R01		3	Pce	Washer 垫圈	C	
08	3RT302923R31		1	Pce	Check Bolt Pawl 检查螺栓棘爪	C	
09	7A0307000		1	Pce	Hex-Head Bolt 六角螺栓	C	
10	3JT404167R13		1	Pce	Locking Pawl 锁紧棘爪	C	
-							
12	478017		1	Pce	Countersunk Screw 沉头螺栓	C	
13	3JT404168R01		1	Pce	Washer 垫圈	C	
14	3JT404499R01		1	Pce	Sleeve 套管	C	
15	3CT403086R03		1	Pce	Switch Cam 开关凸轮	B	
16	7M5802600		5	Pce	Washer 垫圈	C	
17	7B1200200		1	Pce	Machine Screw 机用螺栓	C	
20	7B1201210		2	Pce	Machine Screw 机用螺栓	C	
21	450659		4	Pce	Washer 垫圈	C	

<b>T9: Ordering information:</b> 订购信息							
Pos. 件号	Item number 部件号	Cust. Number 客户编号	Quantity 数量	Unit 单位	Name 名称	WEC 类别	Page 页码
22	3RT404340R03		1	Pce	Holder 支架	C	
23	478316		2	Pce	Pin 销	C	
24	3RT403910R02		1	Pce	Pin 销	C	
-							
26	3VT404900R01		1	Pce	Cylinder 气缸	B	
27	3RT404169R02		1	Pce	Washer 垫圈	C	
28	3T302921R23		1	Pce	Pawl 棘爪	C	
29	7UN401031R06		1	Pce	Clip 夹子	B	
30	3T403906R07		1	Pce	Pin 销	C	
-							
33	3JN401022R01		1	Pce	Torsion Spring 涨紧弹簧	B	
34	3JN401023R01		1	Pce	Torsion Spring 涨紧弹簧	B	
35	3VT404173R03		1	Pce	Cylinder 气缸	B	
36	3JT404170R01		2	Pce	Washer 垫圈	C	
37	7B1201500		2	Pce	Machine Screw 机用螺栓	C	
38	7RN400243P01		1	Pce	Sealing Ring 密封圈	C	
39	7WN400218R02		1	Pce	Fitting 螺纹接头	C	
41	7GN300136R34		2	Pce	Spacing Pin 间距销	C	
43	7UN401031R54		1	Pce	KI-Clip KI-夹	B	
-							
47	8HN300159R22		1	Pce	Limit Switch 限位开关	B	

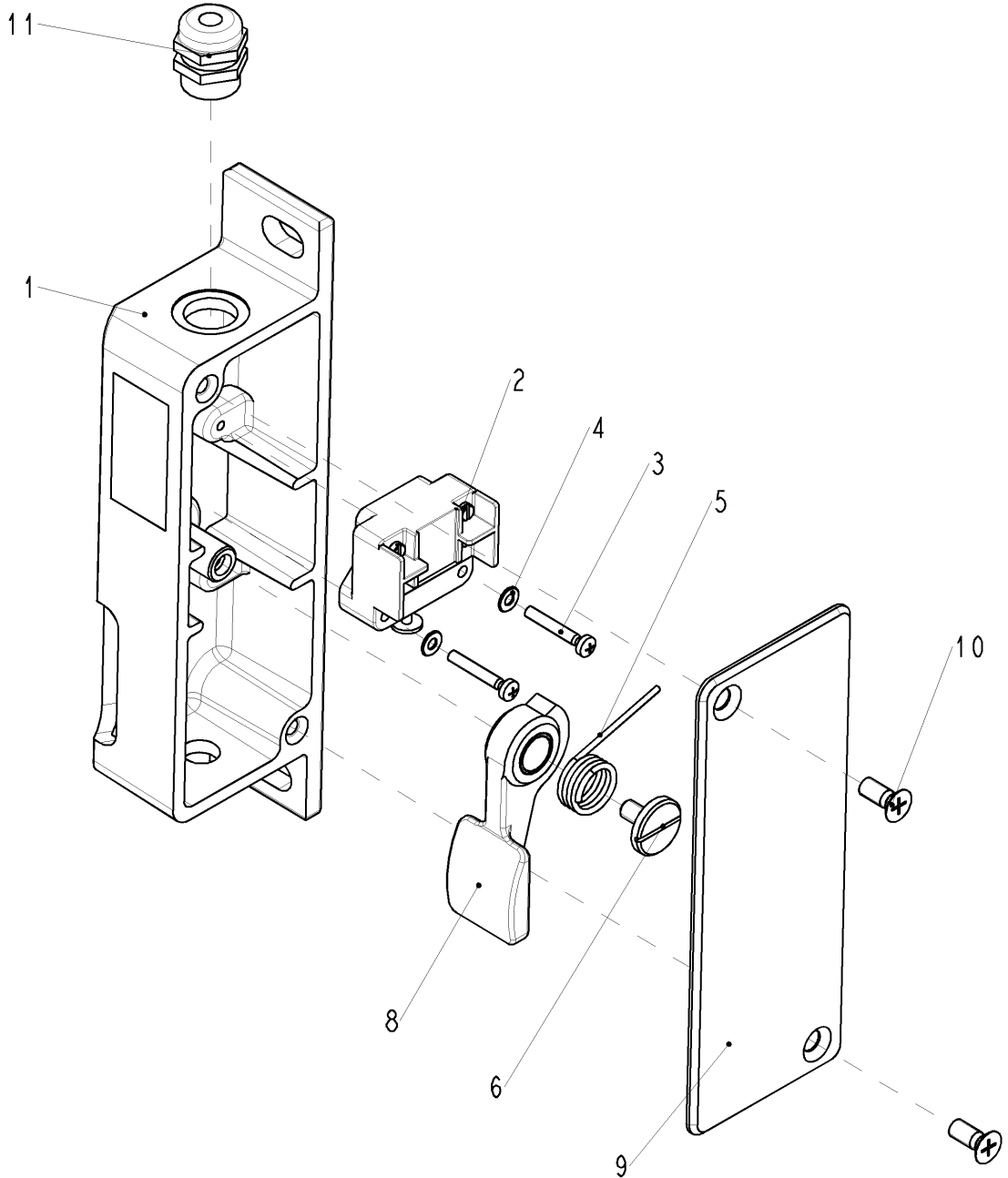
T9: Ordering information: 订购信息							
Pos. 件号	Item number 部件号	Cust. Number 客户编号	Quantity 数量	Unit 单位	Name 名称	WEC 类别	Page 页码
-							
50	3ED00101R03		1	Pce	Screw Fitting 螺纹接头	C	
-							
52	7B1200600		2	Pce	Machine Screw 机用螺栓	C	
53	7UN400242P18		1	Pce	Bearing 轴承	C	
54	7UN400584P15		1	Pce	Bearing 轴承	C	
55	7U9244500		1	Pce	Shim 垫片	C	
56	7U9244550		1	Pce	Shim 垫片	C	
-							
101	3ED90101R26_C01		1	Pce	Cabling 布线	C	

T10 Cabling / 布线

<b>T10: Ordering information:</b> 订购信息							
Pos. 件号	Item number 部件号	Cust. Number 客户编号	Quantity 数量	Unit 单位	Name 名称	WEC 类别	Page 页码

	<b>3ED90101R26_C01</b>				<b>Cabling</b> 布线		
01	8E1302200		1	Pce	Nut 螺母	C	
02	8E1301050		1	Pce	Fitting 接头	C	
03	3RT303026R07		1	Pce	Cover 外罩	C	
04	8HN300431R11		1	Pce	Limit Switch 限位开关	B	
05	7UN400588P03		2	Pce	Securing Clip 锁固夹	B	
06	7A0600390		2	Pce	Hex-Head Bolt 六角螺栓	C	
07	8DN401172R02		1.8	m	Braided Hose 编织管	C	
08	7UN401099R12		2	Pce	Ife Name Plate IFE 铭牌	C	

**T11 Bolt Box / 锁盒**



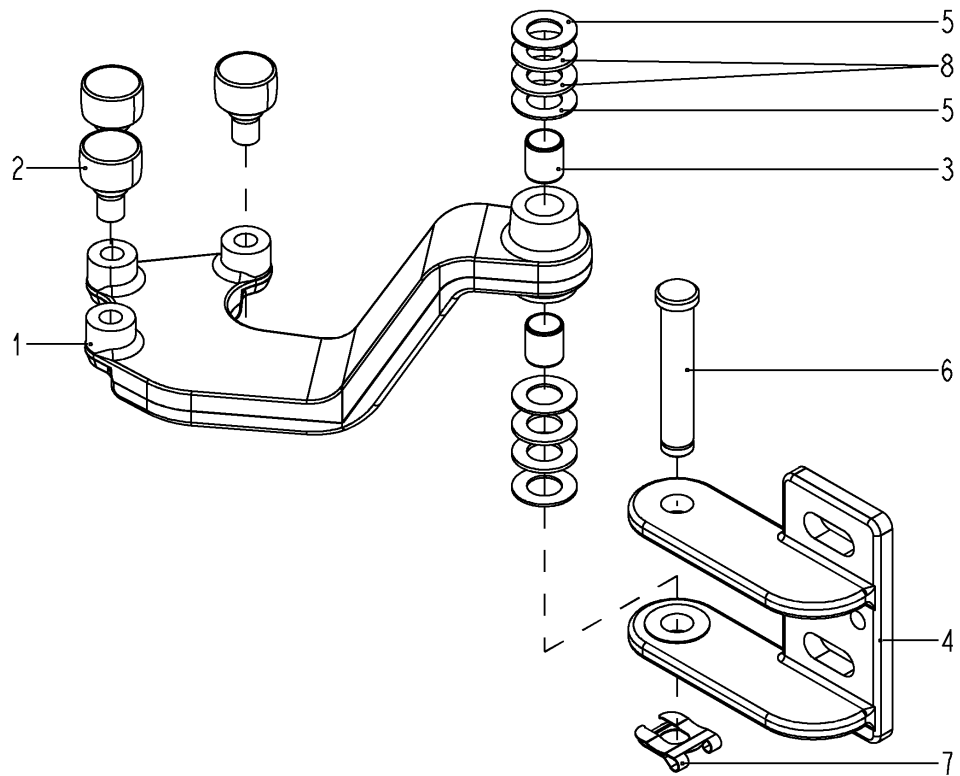
ET-3T201883R21

**T11: Ordering information:**  
订购信息

Pos. 件号	Item number 部件号	Cust. Number 客户编号	Quantity 数量	Unit 单位	Name 名称	WEC 类别	Page 页码
------------	--------------------	----------------------	----------------	------------	------------	-----------	------------

	<b>3T201883R21</b>				<b>Bolt Box 锁盒</b>		
01	3T202050R11		1	Pce	Housing 外壳	C	
02	8HN401253R01		1	Pce	Limit Switch 限位开关	B	
03	7D2202600		2	Pce	Pan-Head Screw 盘头螺栓	C	
04	474785		2	Pce	Washer 垫圈	C	
05	3JN401252R01		1	Pce	Spring Clip 弹簧夹	B	
06	7E4400007		1	Pce	Pan-Head Screw 盘头螺栓	C	
-							
08	3WT405877R02		1	Pce	Cam 凸轮	C	
09	3KT405866R03		1	Pce	Cover 外壳	C	
10	7D2605100		2	Pce	Countersunk Screw 沉头螺栓	C	
11	8E1301000		1	Pce	Screw Fitting 螺纹接头	C	

## T12 Roller swing arm / 滚轮摇臂

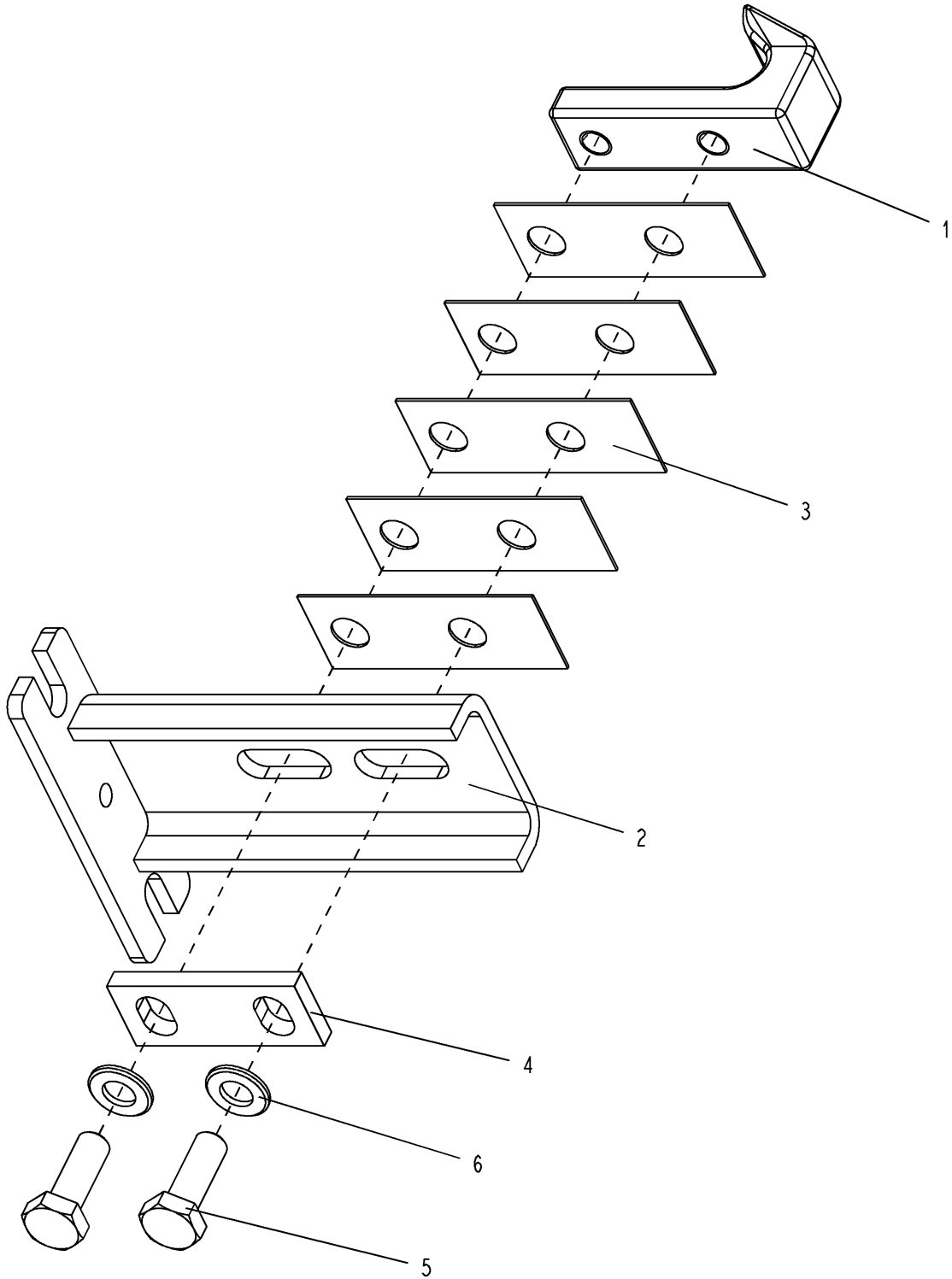


ET-3TD90530R03

T12: Ordering information: 订购信息							
Pos. 件号	Item number 部件号	Cust. Number 客户编号	Quantity 数量	Unit 单位	Name 名称	WEC 类别	Page 页码

	<b>3TD90530R03</b>				<b>Roller swing arm 滚轮摇臂</b>		
01	3TD90539R05		1	Pce	Rocker Arm 摆臂	C	
02	3K89993089		3	Pce	Cam Roller 滚轮	B	
03	7UN300503P25		2	Pce	Bearing 轴承	C	
04	3TD92670R01		1	Pce	Support Frame 支撑架	C	
05	3WT400215R48		4	Pce	Washer 垫圈	C	
06	3VT403450R06		1	Pce	Bearing Pin 轴承销	C	
07	7UN400244P56		1	Pce	Securing Clip 固定夹	B	
08	3WT400215R49		4	Pce	Washer 垫圈	C	
-							
44	3N401099R10		1	Pce	Adhesive Label 粘性标签	C	

**T13 Catch hook / 锁钩**

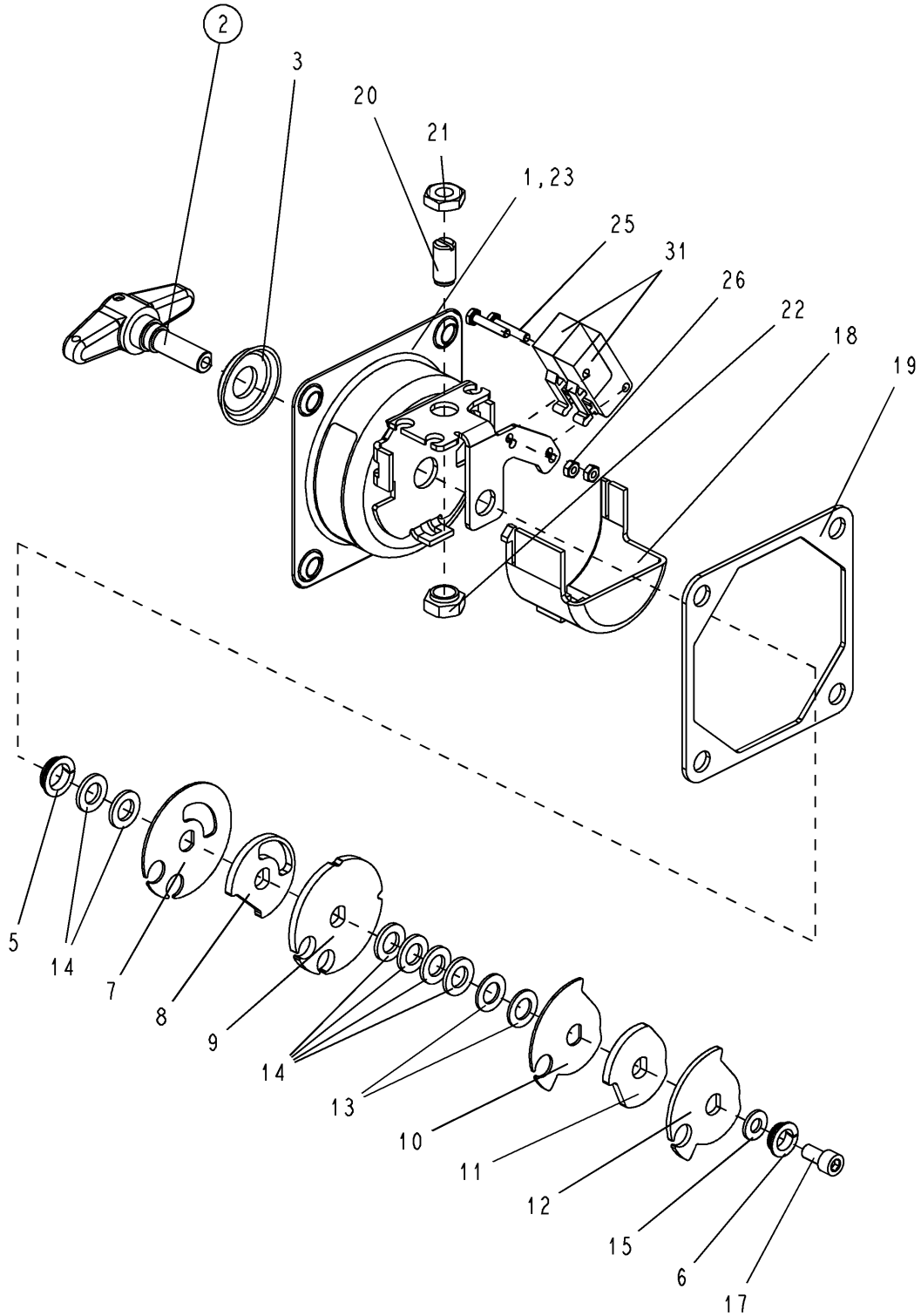


ET-3T404165R26

T13: Ordering information: 订购信息							
Pos. 件号	Item number 部件号	Cust. Number 客户编号	Quantity 数量	Unit 单位	Name 名称	WEC 类别	Page 页码

	<b>3T404165R26</b>				<b>Catch hook 锁钩</b>		
01	3T404165R17		1	Pce	Catch Hook 锁钩	C	
02	3TD90423R12		1	Pce	Bracket 支架	C	
03	3JT404166R01		5	Pce	Washer 垫圈	C	
04	3JT404166R02		1	Pce	Washer 垫圈	C	
05	7A0603707		2	Pce	Hex-Head Bolt 六角螺栓	C	
06	7M6108867		2	Pce	Spring Washer 弹簧垫圈	C	

**T14 Emergency device / 紧急装置**



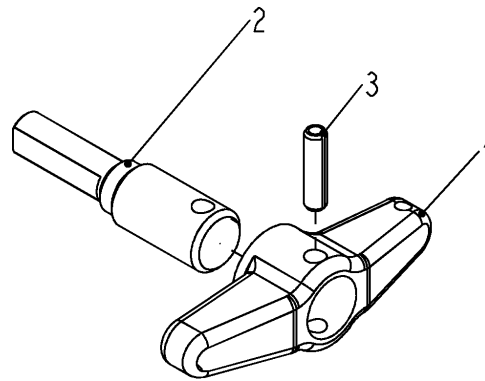
ET-3TD90524R19

T14: Ordering information: 订购信息							
Pos. 件号	Item number 部件号	Cust. Number 客户编号	Quantity 数量	Unit 单位	Name 名称	WEC 类别	Page 页码

	3TD90524R19				Emergency device 紧急装置		
01	3TD90525R33		1	Pce	Finger grip 外壳	C	
02	3T302735R52		1	Pce	Operating Lever 操作柄	C	46
03	3WN300444R44		1	Pce	Cup Packing 杯碗	C	
05	3N300504R07		1	Pce	Bearing 轴承	C	
06	3N300504R05		1	Pce	Bearing 轴承	C	
07	3T407784R09		1	Pce	Drum 毂	C	
08	3T407784R11		1	Pce	Drum 毂	C	
09	3T407784R14		1	Pce	Drum 毂	C	
10	3T407784R10		1	Pce	Drum 毂	C	
11	3T407784R12		3	Pce	Drum 毂	C	
12	3T407784R15		1	Pce	Drum 毂	C	
13	7U9244600		5	Pce	Shim 垫片	C	
14	470035		7	Pce	Shim 垫片	C	
15	7M6108830		1	Pce	Spring Washer 弹簧垫圈	C	
17	3T411479R01		1	Pce	Screw 螺栓	C	
-							
19	3T409379R07		1	Pce	Gasket 密封圈	C	
20	7UN401240R35		1	Pce	Thrust Member 止推件	C	
21	463626		1	Pce	Hexagon Nut 六角螺母	C	

<b>T14: Ordering information:</b> 订购信息							
Pos. 件号	Item number 部件号	Cust. Number 客户编号	Quantity 数量	Unit 单位	Name 名称	WEC 类别	Page 页码
-							
23	7UN402019R04		1	Pce	Adhesive Label 粘性标贴	C	
-							
25	470959		2	Pce	Hex-Head Bolt 六角螺栓	C	
26	7L5200750		2	Pce	Hexagon Nut 六角螺母	C	
-							
31	3ED90101R28_C01		1	Pce	Cabling 布线	C	48

T15 Operating lever / 操作柄



ET-3T302735R52

**T15: Ordering information:**  
订购信息

Pos. 件号	Item number 部件号	Cust. Number 客户编号	Quantity 数量	Unit 单位	Name 名称	WEC 类别	Page 页码
------------	--------------------	----------------------	----------------	------------	------------	-----------	------------

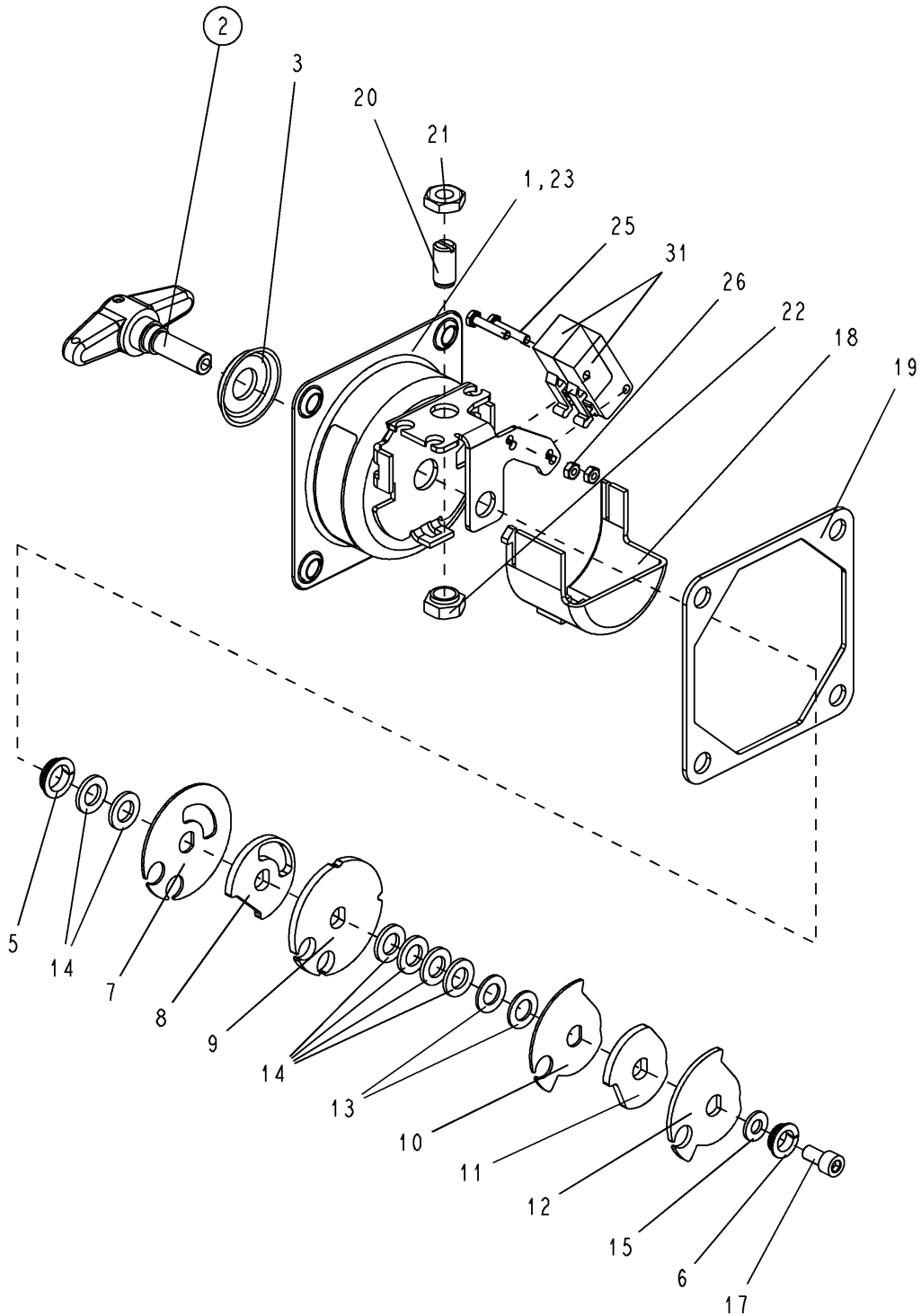
	<b>3T302735R52</b>				<b>Operating lever</b> 操作柄		
01	3N401158R13		1	Pce	Operating Lever 操作杆	C	
02	3T404246R87		1	Pce	Pin 销	C	
03	7Q8001550		1	Pce	Clamping Pin 夹紧销	B	

T16 Cabling / 布线

T16: Ordering information: 订购信息							
Pos. 件号	Item number 部件号	Cust. Number 客户编号	Quantity 数量	Unit 单位	Name 名称	WEC 类别	Page 页码

	3ED90101R28_C01				<b>Cabling 布线</b>		
01	3ED00054R03		1	Pce	Connector Mmnl S 插头	C	
02	8FN401893R19		6	Pce	Pin 销	C	
03	3ED00056R21		6	Pce	Connector Mmnl S 插头	C	
04	3ED00054R23		1	Pce	Connector Mmnl S 插头	C	
05	8HN300290R04		2	Pce	Button 按钮	B	
06	8D1001750		1	Pce	Tube L =0.25 m 管	C	

**T17 Emergency device / 紧急装置**



ET-3TD90524R20

T17: Ordering information: 订购信息							
Pos. 件号	Item number 部件号	Cust. Number 客户编号	Quantity 数量	Unit 单位	Name 名称	WEC 类别	Page 页码

	3TD90524R20				Emergency device 紧急装置		
01	3TD90525R33		1	Pce	Finger grip 外壳	C	
02	3T302735R52		1	Pce	Operating Lever 操作柄	C	46
03	3WN300444R44		1	Pce	Cup Packing 杯碗	C	
-							
05	3N300504R07		1	Pce	Bearing 轴承	C	
06	3N300504R05		1	Pce	Bearing 轴承	C	
07	3T407784R09		1	Pce	Drum 毂	C	
08	3T407784R11		1	Pce	Drum 毂	C	
09	3T407784R14		1	Pce	Drum 毂	C	
10	3T407784R10		1	Pce	Drum 毂	C	
11	3T407784R12		3	Pce	Drum 毂	C	
12	3T407784R15		1	Pce	Drum 毂	C	
13	7U9244600		5	Pce	Shim 垫片	C	
14	470035		7	Pce	Shim 垫片	C	
15	7M6108830		1	Pce	Spring Washer 弹簧垫圈	C	
-							
17	3T411479R01		1	Pce	Screw 螺栓	C	
19	3T409379R07		1	Pce	Gasket 密封圈	C	
20	7UN401240R35		1	Pce	Thrust Member 止推件	C	
21	463626		1	Pce	Hexagon Nut 六角螺母	C	

<b>T17: Ordering information:</b> 订购信息							
Pos. 件号	Item number 部件号	Cust. Number 客户编号	Quantity 数量	Unit 单位	Name 名称	WEC 类别	Page 页码
-							
23	7UN402019R04		1	Pce	Adhesive Label 粘性标签	C	
-							
25	470959		2	Pce	Hex-Head Bolt 六角螺栓	C	
26	7L5200750		2	Pce	Hexagon Nut 六角螺母	C	
-							
31	3ED90101R29_C01		1	Pce	Cabling 布线	C	52

T18 Cabling / 布线

T18: Ordering information: 订购信息							
Pos. 件号	Item number 部件号	Cust. Number 客户编号	Quantity 数量	Unit 单位	Name 名称	WEC 类别	Page 页码

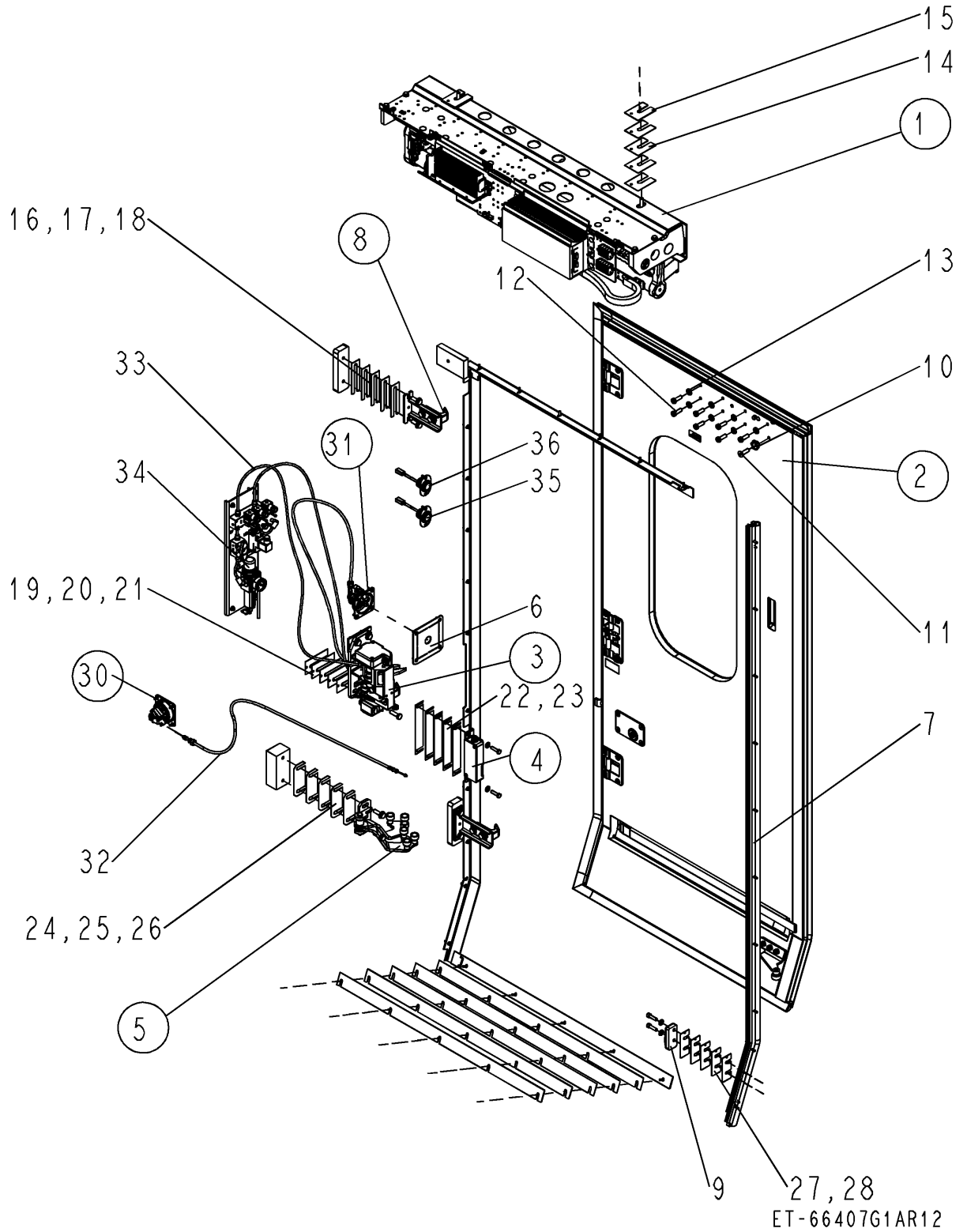
	3ED90101R29_C01				<b>Cabling 布线</b>		
01	3ED00054R03		1	Pce	Connector Mmnl S 插头	C	
02	8FN401893R19		6	Pce	Pin 销	C	
03	3ED00056R21		6	Pce	Connector Mmnl S 插头	C	
04	3ED00054R23		1	Pce	Connector Mmnl S 插头	C	
05	8HN300290R04		2	Pce	Button 按钮	B	
06	8D1001750		1	Pce	Tube L =0.25 m 管	C	

**T19 E. Parts Loose / 电气散件**

T19: Ordering information: 订购信息							
Pos. 件号	Item number 部件号	Cust. Number 客户编号	Quantity 数量	Unit 单位	Name 名称	WEC 类别	Page 页码

	<b>3ED90002R75_C0 1</b>				<b>E. Parts Loose 电气散件</b>		
01	3ED00016R40		1	Pce	Terminal Block 接线端子	C	
02	3ED00016R38		1	Pce	Terminal Block 接线端子	C	
03	3ED00016R37		1	Pce	Terminal Block 接线端子	C	
04	3ED00016R34		1	Pce	Terminal Block 接线端子	C	
05	3ED00016R33		1	Pce	Terminal Block 接线端子	C	
06	3ED00016R32		3	Pce	Terminal Block 接线端子	C	
07	3ED00016R19		8	Pce	Terminal Block 接线端子	C	
08	8FN300370R31		38	Pce	Terminal Block 接线端子	C	

## T20 Scope of supply / 供货范围

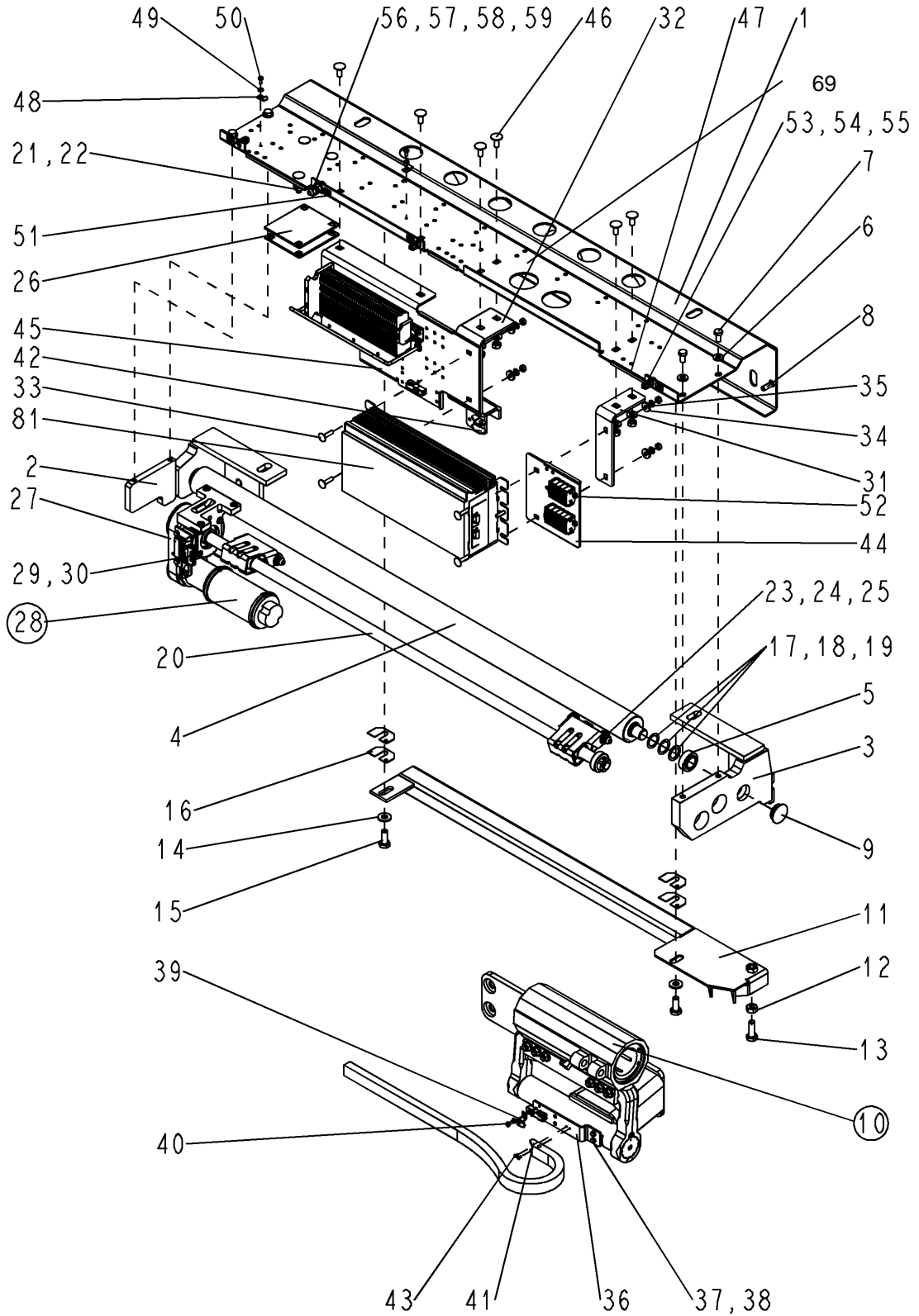


T20: Ordering information: 订购信息							
Pos. 件号	Item number 部件号	Cust. Number 客户编号	Quantity 数量	Unit 单位	Name 名称	WEC 类别	Page 页码

66407G1AR12		SCOPE OF SUPPLY 供货范围					
01	3TD08370R10		1	Pce	Drive 驱动机构	C	57
02	3T003958R20		1	Pce	Door Leaf Complete 门扇	C	71
03	3T103520R54		1	Pce	Main Lock 主锁	C	77
04	3T201883R22		1	Pce	Bolt Box 锁盒	C	81
05	3TD90530R04		1	Pce	Rolling Arm 滚轮摇臂	C	83
06	3TD90527R01		1	Pce	Plastic Panel 塑料板	C	
07	3TD90515R30		1	Pce	Sealing Strip 密封夹条	B	
08	3T404165R26		2	Pce	Catch Hook 锁钩	C	41
09	3KT202251R06		1	Pce	Arrester Block 固定底座	C	
10	3KT408879R02		1	Pce	Eccentric 偏心垫片	C	
11	477990		1	Pce	Countersunk Screw 沉头螺栓	C	
12	7B1401107		7	Pce	Machine Screw 机用螺栓	C	
13	3TD81440R16		7	Pce	Washer 垫圈	C	
14	3T304858R31		20	Pce	Shim 垫片	C	
15	3T304858R32		12	Pce	Shim 垫片	C	
16	3TD90423R10		6	Pce	Shim 垫片	C	
17	3TD90423R38		4	Pce	Shim 垫片	C	
18	3TD90423R39		2	Pce	Shim 垫片	C	
19	3TD90423R45		6	Pce	Shim 垫片	C	
20	3TD90423R46		4	Pce	Shim 垫片	C	

<b>T20: Ordering information:</b> 订购信息							
Pos. 件号	Item number 部件号	Cust. Number 客户编号	Quantity 数量	Unit 单位	Name 名称	WEC 类别	Page 页码
21	3TD90423R47		2	Pce	Shim 垫片	C	
22	3TD90516R102		5	Pce	Shim 垫片	C	
23	3TD90516R101		1	Pce	Shim 垫片	C	
24	3TD90423R09		3	Pce	Shim 垫片	C	
25	3TD90423R40		2	Pce	Shim 垫片	C	
26	3TD90423R41		1	Pce	Shim 垫片	C	
27	3TD90423R43		4	Pce	Shim 垫片	C	
28	3TD90423R44		2	Pce	Shim 垫片	C	
29	3TD90516R10		34	Pce	Shim 垫片	C	
30	3TD90524R19		1	Pce	Emergency Device 紧急装置	C	43
31	3TD90524R20		1	Pce	Emergency Device 紧急装置	C	49
32	3TD90537R37		2	Pce	Bowden Cable 钢丝绳	B	
33	OSN400222P04		6	m	Pipe 气管	C	
34	3ED90201R03_C01		1	Pce	Pneum.Control Unit 气动控制单元	C	
35	3ED99061R33_C01		1	Pce	Button 按钮	B	
36	3ED99061R34_C01		1	Pce	Button 按钮	B	
37	3ED90002R75_C01		1	Pce	E-Loose Part 电气散件	C	53

**T21 Drive Unit / 驱动机构**



ET-3TD08370R10

T21: Ordering information: 订购信息							
Pos. 件号	Item number 部件号	Cust. Number 客户编号	Quantity 数量	Unit 单位	Name 名称	WEC 类别	Page 页码

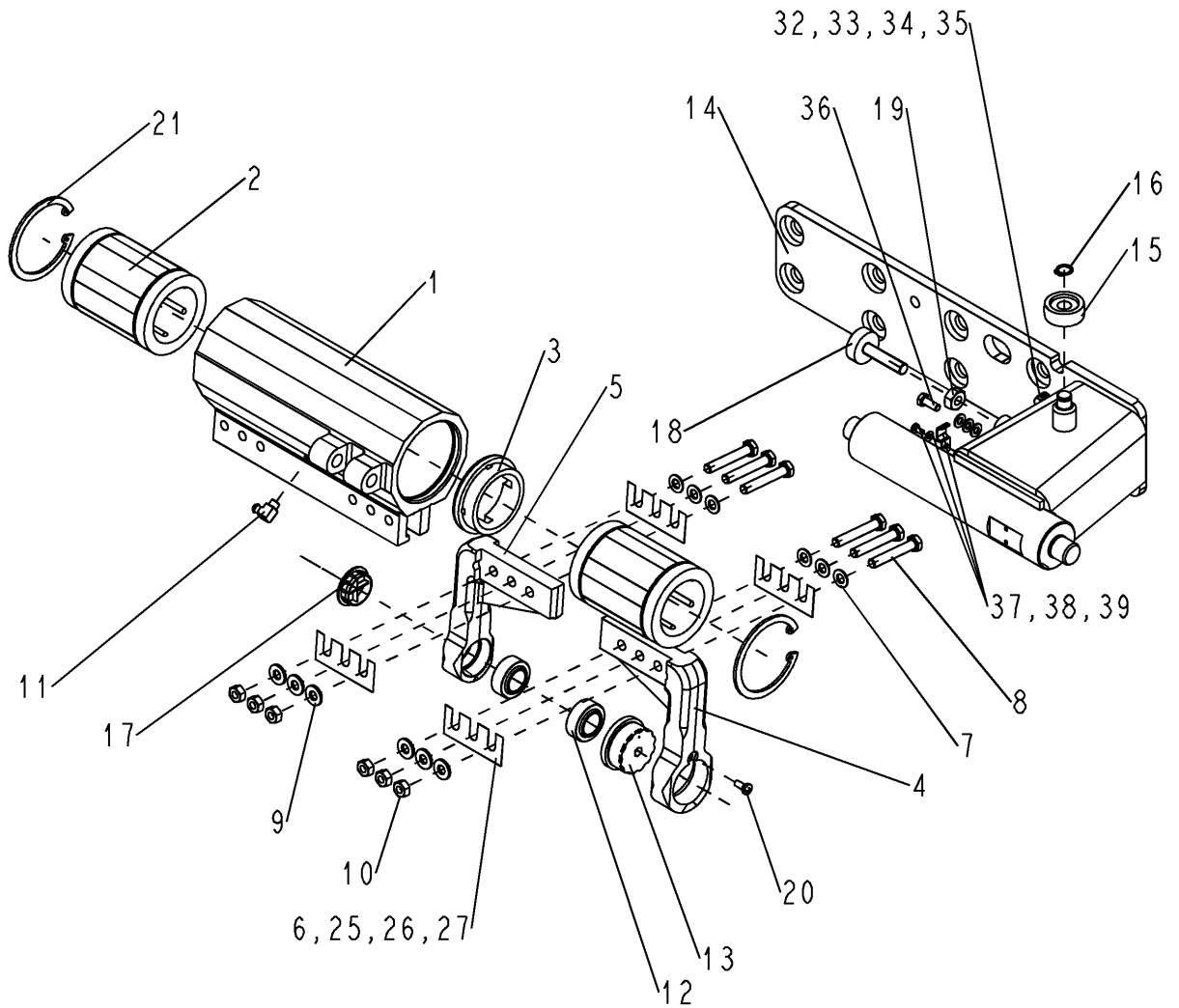
	<b>3TD08370R10</b>				<b>Drive unit 驱动机构</b>		
01	3TD08371R04		1	Pce	Support Bracket 支撑支架	C	
02	3T202745R64		1	Pce	Bearing Bracket 轴承支架	C	
03	3T202745R30		1	Pce	Bearing Bracket 轴承支架	C	
04	3TD08375R01_C01		1	Pce	Guide Rod 光杠	C	
05	3D0006000		2	Pce	Swivel Bearing 平面轴承	C	
06	7M6108857		13	Pce	Spring Washer 弹簧垫圈	C	
07	7A0602307		4	Pce	Hex-Head Bolt 六角螺栓	C	
08	478035		2	Pce	Countersunk Screw 沉头螺栓	C	
09	0VN401666R02		2	Pce	Protective Plug 保护插头	C	
10	3T102292R40		1	Pce	Roller Rocker Guide 滚珠摇臂	B	62
11	3TD08376R02_C01		1	Pce	Guide Rail 导轨	C	
12	7L5202107		1	Pce	Hexagon Nut 六角螺母	C	
13	7A0603707		1	Pce	Hex-Head Bolt 六角螺栓	C	
14	7M6108867		2	Pce	Spring Washer 弹簧垫圈	C	
15	7A0603607		2	Pce	Hex-Head Bolt 六角螺栓	C	
16	3KT403595R72		4	Pce	Washer 垫圈	C	
17	7U9251150		2	Pce	Shim 垫片	C	
18	7U9251160		2	Pce	Shim 垫片	C	
19	7U9251170		2	Pce	Shim 垫片	C	

<b>T21: Ordering information:</b> 订购信息							
Pos. 件号	Item number 部件号	Cust. Number 客户编号	Quantity 数量	Unit 单位	Name 名称	WEC 类别	Page 页码
20	3T003399R84		1	Pce	Linear Actuator 丝杠组件	C	
21	7C1702207		3	Pce	Coach Bolt 方颈螺栓	C	
22	7L5201707		11	Pce	Hexagon Nut 六角螺母	C	
23	3T406422R28		1	Pce	Pin 销	C	
24	3TD00658R21		1	Pce	Washer 垫圈	C	
25	EAU17DA		1	Pce	Hexagon Nut 六角螺母	C	
26	3TD90037R01		2	Pce	Plate 板	C	
27	3KN401349R31		1	Pce	Htd-Toothed Belt 齿带	B	
28	3T203272R30		1	Pce	Motor Assembly 电机组件	B	65
29	8101280254		3	Pce	Machine Screw 机用螺栓	C	
30	7L5201407		13	Pce	Hexagon Nut 六角螺母	C	
31	3TD90541R32		1	Pce	Dcu Bracket 门控器支架	C	
32	3TD90541R34		1	Pce	Dcu Bracket 门控器支架	C	
33	475238		4	Pce	Coach Bolt 方颈螺栓	C	
34	7M6108997		4	Pce	Washer 垫圈	C	
35	450488		10	Pce	Washer 垫圈	C	
36	3TD12848R01		1	Pce	Bracket 支架	C	
37	468811		3	Pce	Washer 垫圈	C	
38	7A0600350		2	Pce	Hex-Head Bolt 六角螺栓	C	
39	3T411409R12		1	Pce	Bracket 支架	C	
40	T1481053		1	Pce	Pan-Head Screw 盘头螺栓	C	

<b>T21: Ordering information:</b> 订购信息							
Pos. 件号	Item number 部件号	Cust. Number 客户编号	Quantity 数量	Unit 单位	Name 名称	WEC 类别	Page 页码
41	8DN300340R11		1	Pce	Chain Connector 链接头	C	
42	8DN300340R12		1	Pce	Chain Connector 链接头	C	
43	7D2602200		4	Pce	Countersunk Screw 沉头螺栓	C	
44	3TD90520R37		1	Pce	Electronic Bracket 电气支架	C	
45	3TD90541R30		1	Pce	Terminal Board 端子排底板	C	
46	7C1702017		6	Pce	Coach Bolt 方颈螺栓	C	
47	8TN401944R05		0.6	m	Edge Guard 边缘保护	C	
48	3N401249R51		2	Pce	Clamp 夹子	B	
49	7M6108821		2	Pce	Spring Washer 弹簧垫圈	C	
50	7D2203307		2	Pce	Pan-Head Screw 盘头螺栓	C	
51	7UN401337R11		6	Pce	Label 标签	C	
52	T1481030		4	Pce	Pan-Head Screw 盘头螺栓	C	
53	7A0601757		3	Pce	Hex-Head Bolt 六角螺栓	C	
54	470360		6	Pce	Spring Washer 弹簧垫圈	C	
55	469639		3	Pce	Spring Washer 弹簧垫圈	C	
56	7A0602627		1	Pce	Hex-Head Bolt 六角螺栓	C	
57	470361		2	Pce	Spring Washer 弹簧垫圈	C	
58	7M5803807		2	Pce	Washer 垫圈	C	
59	469640		1	Pce	Spring Washer 弹簧垫圈	C	
60	3N401099R10		1	Pce	Adhesive Label 粘性标签	C	
61	8EN401218R03		40	Pce	Cable Tie 扎带	C	

<b>T21: Ordering information:</b> 订购信息							
Pos. 件号	Item number 部件号	Cust. Number 客户编号	Quantity 数量	Unit 单位	Name 名称	WEC 类别	Page 页码
62	7UN402019R01		18	Pce	Adhesive Label 粘性标签	C	
63	3ED90071R37_C01		1	Pce	Cabling 布线	C	20
-							
80	3ED90161R04_C01		1	Pce	Cabling 布线	C	67
81	3ED01921R52		1	Pce	Door Control Unit 门控器	B	

T22 Roller Rocker Guide / 滚珠摇臂



ET-3T102292R40

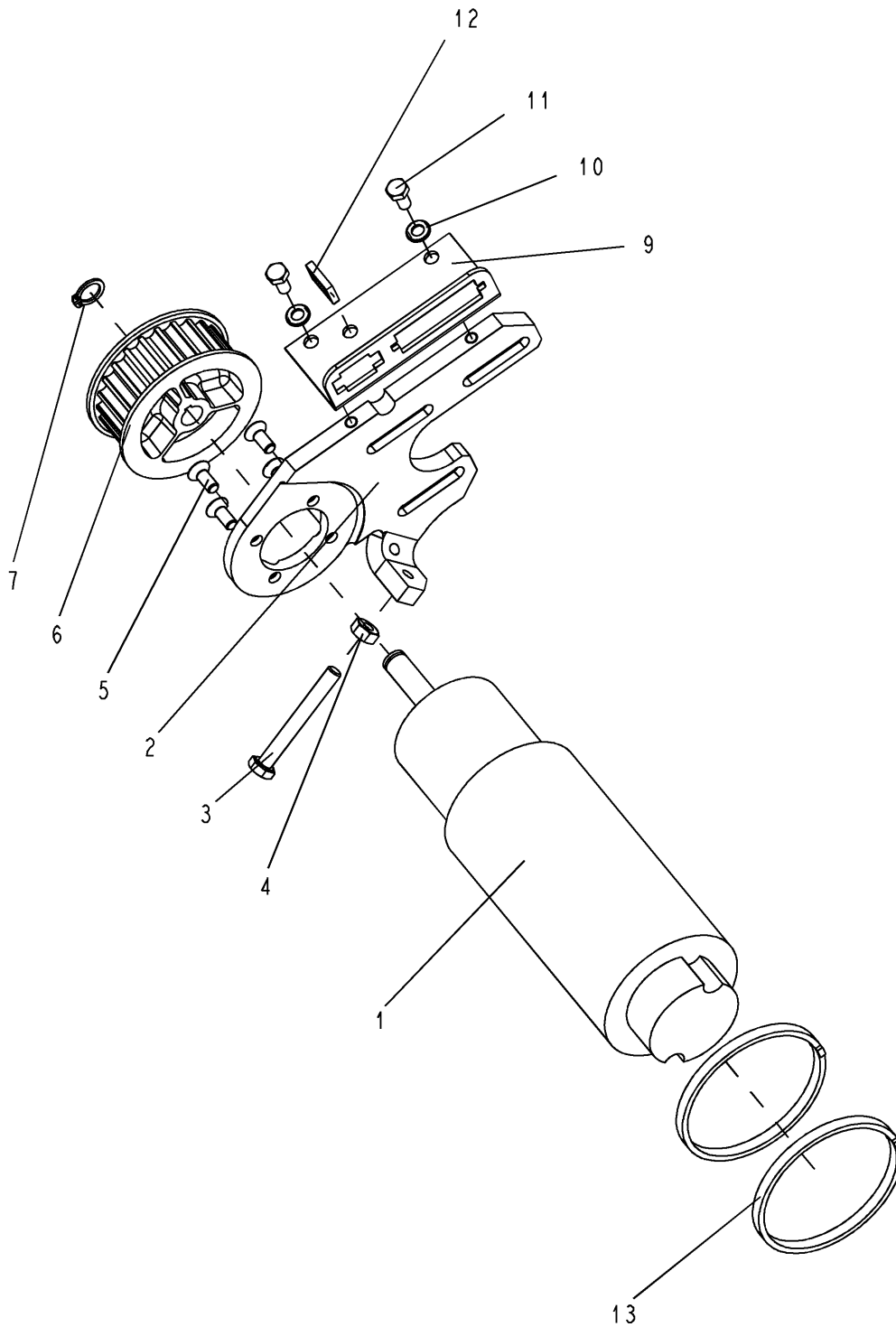
**T22: Ordering information:**  
**订购信息**

Pos. 件号	Item number 部件号	Cust. Number 客户编号	Quantity 数量	Unit 单位	Name 名称	WEC 类别	Page 页码
------------	--------------------	----------------------	----------------	------------	------------	-----------	------------

	<b>3T102292R40</b>				<b>Roller Rocker Guid 滚珠摇臂</b>		
01	3T202384R52		1	Pce	Trolley Carrier 门携架	C	
02	3N300466R06		2	Pce	Spherical Liner 球形衬	C	
03	3WT405094R03		1	Pce	Lubricating Ring 润滑环	C	
04	3KT305107R14		1	Pce	Doorleaf Carrier S 门携架连杆轴承	C	
05	3KT305097R14		1	Pce	Doorleaf Carrier S 门携架连杆轴承	C	
06	3KT403595R75		4	Pce	Washer 垫圈	C	
07	7M5803807		6	Pce	Washer 垫圈	C	
08	451759		6	Pce	Hex-Head Bolt 六角螺栓	C	
09	7M6108857		6	Pce	Spring Washer 弹簧垫圈	C	
10	7L5201707		6	Pce	Hexagon Nut 六角螺母	C	
11	7U9701507		1	Pce	Grease Nipple 润滑嘴	C	
12	3D0006000		2	Pce	Swivel Bearing 旋转轴承	C	
13	3KT408657R01		1	Pce	Eccentric 偏心垫	C	
14	3T102036R36		1	Pce	Door Leaf Carrier 门携架	C	
15	3NT400985R01		1	Pce	Roller 滚轮	B	
16	7S8300700		1	Pce	Retaining Ring 扣环	C	
17	0VN401666R02		1	Pce	Protective Plug 保护插头	C	
18	3DN400826R24		1	Pce	Rubber Buffer 橡胶缓冲	B	
19	7L5202107		1	Pce	Hexagon Nut 六角螺母	C	
20	7D2204301		1	Pce	Oval-Head Screw 盘头螺栓	C	

<b>T22: Ordering information:</b> 订购信息							
Pos. 件号	Item number 部件号	Cust. Number 客户编号	Quantity 数量	Unit 单位	Name 名称	WEC 类别	Page 页码
21	7S8404200		2	Pce	Retaining Ring 扣环	C	
22	7U9251150		1	Pce	Shim 垫片	C	
23	7U9251160		1	Pce	Shim 垫片	C	
24	7U9251170		1	Pce	Shim 垫片	C	
25	3KT403595R92		2	Pce	Washer 垫圈	C	
26	3TD90519R29		2	Pce	Shim 垫片	C	
27	3TD90519R30		6	Pce	Shim 垫片	C	
31	0VN401284R01		2	Pce	Taper Plug 锥度塞	C	
32	7A0601307		1	Pce	Hex-Head Bolt 六角螺栓	C	
33	469639		2	Pce	Spring Washer 弹簧垫圈	C	
34	7M5803309		2	Pce	Washer 垫圈	C	
35	470360		2	Pce	Spring Washer 弹簧垫圈	C	
36	7A0601457		1	Pce	Hex-Head Bolt 六角螺栓	C	
37	3N401249R14		2	Pce	Clamp 夹子	B	
38	7D2203200		2	Pce	Oval-Head Screw 盘头螺栓	C	
39	468811		2	Pce	Washer 垫圈	C	

T23 Motor Assembly / 电机组件



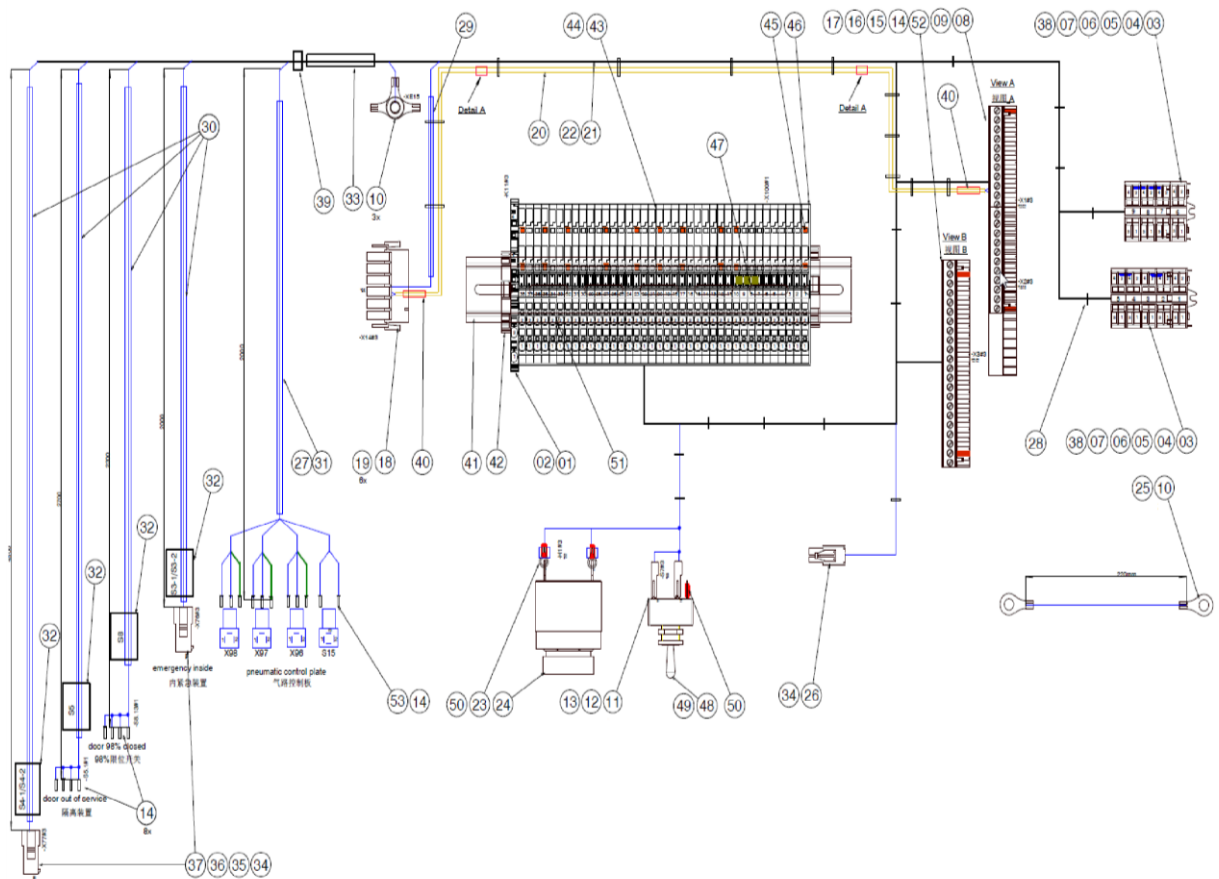
ET-3T203272R30

**T23: Ordering information:**  
订购信息

Pos. 件号	Item number 部件号	Cust. Number 客户编号	Quantity 数量	Unit 单位	Name 名称	WEC 类别	Page 页码
------------	--------------------	----------------------	----------------	------------	------------	-----------	------------

	<b>3T203272R30</b>				<b>Motor Assembly 电机组件</b>		
01	3KN300406R96		1	Pce	Geared Motor 齿轮电机	B	
02	3T307437R06		1	Pce	Motor Bracket 电机支架	C	
03	7A0601907		1	Pce	Hex-Head Bolt 六角螺栓	C	
04	7L5201407		1	Pce	Hexagon Nut 六角螺母	C	
05	475096		4	Pce	Countersunk Screw 沉头螺栓	C	
06	3KT408221R07		1	Pce	Toothed Washer Hdt 带齿垫圈	C	
07	7S8300507		1	Pce	Retaining Ring 扣环	C	
09	3T307228R05		1	Pce	Bracket 支架	C	
10	474771		2	Pce	Washer 垫圈	C	
11	7A0600450		2	Pce	Hex-Head Bolt 六角螺栓	C	
12	8EN401218R03		1	Pce	Cable Tie 扎带	C	
13	8EN401218R01		2	Pce	Cable Tie 扎带	C	

T24 Cabling / 布线



ET-3ED90161R04\_C01

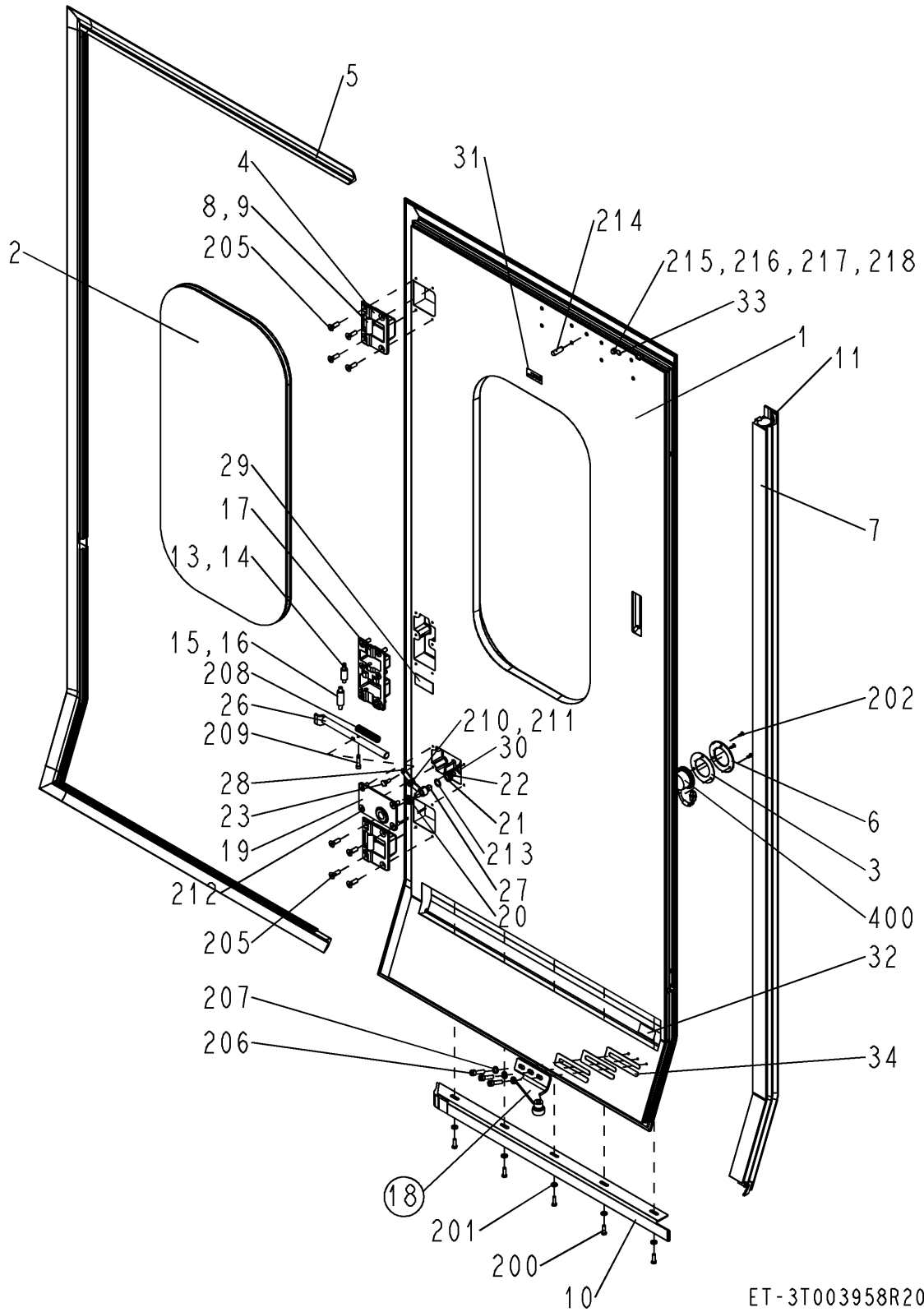
<b>T24: Ordering information:</b> 订购信息							
Pos. 件号	Item number 部件号	Cust. Number 客户编号	Quantity 数量	Unit 单位	Name 名称	WEC 类别	Page 页码

	<b>3ED90161R04_C01</b>				<b>Cabling 布线</b>		
01	3ED00321R02		1	Pce	Optocoupler 光耦	C	
02	3ED00321R03		1	Pce	Optocoupler 光耦	C	
03	8FN300370R02		7	Pce	Terminal Block 接线端子	C	
04	8FN300370R11		2	Pce	Terminal Block 接线端子	C	
05	8FN300370R04		2	Pce	Terminal Block 接线端子	C	
06	8FN300370R31		9	Pce	Terminal Block 接线端子	C	
07	8FN300370R12		4	Pce	Terminal Block 接线端子	C	
08	8FN401266R11		1	Pce	Connector Combicon 门控插头	C	
09	3ED00231R03		1	Pce	Connector Combicon 门控插头	C	
10	8E1202200		5	Pce	Ring Cable Terminal 环形电缆端	C	
11	8EN400261P12		2	Pce	Insulating Sleeve 绝缘套管	C	
12	8EN402079R02		1	Pce	Receptacle 电容	C	
13	8EN402079R09		1	Pce	Receptacle 电容	C	
14	8E1205200		64	Pce	Wire End Sleeve 线端套	C	
15	8E1205300		3	Pce	Wire End Sleeve 线端套	C	
16	8FN402237R05		3	Pce	Wire End Sleeve 线端套	C	
17	8FN402237R04		4	Pce	Wire End Sleeve 线端套	C	
18	8FN401229R03		1	Pce	Connector Mnl 插头	C	
19	8FN401044R05		6	Pce	Connector Mnl 插头	C	

<b>T24: Ordering information:</b> 订购信息							
Pos. 件号	Item number 部件号	Cust. Number 客户编号	Quantity 数量	Unit 单位	Name 名称	WEC 类别	Page 页码
20	3ED99001R81_C01		3	m	Cable 电缆	C	
21	3ED99001R23_C01		80	m	Lead 芯线	C	
22	3ED99001R24_C01		30	m	Lead 芯线	C	
23	8E1200500		2	Pce	Ring Cable Terminal 环形电缆端	C	
24	3ED99051R05_C01		1	Pce	Warning Device 报警装置	C	
25	8AN402249R03		0.7	m	Lead 芯线	C	
26	8FN401892R03		1	Pce	Plug 插头	C	
27	8DN401172R04		2	m	Braided Hose 编织管	C	
28	8EN401218R03		54	Pce	Cable Tie 扎带	C	
29	8D1001600		0.21	m	Tube 管	C	
30	8DN401172R02		19.2	m	Braided Hose 编织管	C	
31	8AN402080R02		16.22	m	Line 线	C	
32	7UN300409R97		4	Pce	Identification Sleeve 鉴定套	C	
33	8DN401367R20		0.66	m	Tube 管	C	
34	8FN401893R09		11	Pce	Bush 衬套	C	
35	3ED00054R13		2	Pce	Connector Mmnl S 插头	C	
36	3ED00056R21		8	Pce	Connector Mmnl S 插头	C	
37	3ED00054R31		2	Pce	Connector Mmnl S 插头	C	
38	7D2202200		4	Pce	Oval-Head Screw 盘头螺栓	C	
39	7UN401099R12		2	Pce	Ife Name Plate IFE 铭牌	C	
40	8D1003000		0.08	m	Shrinkable Tubing 热缩管	C	

<b>T24: Ordering information:</b> 订购信息							
Pos. 件号	Item number 部件号	Cust. Number 客户编号	Quantity 数量	Unit 单位	Name 名称	WEC 类别	Page 页码
41	3ED00230R07		1	Pce	Support Rail 支撑轨	C	
42	8FN401189R03		2	Pce	Terminal Block 接线端子	C	
43	3ED00015R01		38	Pce	Terminal Block 接线端子	C	
44	8FN300370R31		38	Pce	Terminal Block 接线端子	C	
45	3ED00015R15		20	Pce	Terminal Block 接线端子	C	
46	3ED00015R03		1	Pce	Terminal Block 接线端子	C	
47	8FN300179R12		3	Pce	Terminal Block 接线端子	C	
48	8HN401198R02		1	Pce	Switch 开关	B	
49	8HN401514R04		1	Pce	Label 标签	C	
50	8D1003100		0.12	m	Shrinkable Tubing 热缩套管	C	
51	3ED00376R12		1	Pce	Zener Diode 二极管	B	
52	8FN401266R12		1	Pce	Connector Combicon 门控插头	C	
53	8E1205400		3	Pce	Wire End Sleeve 线缆端	C	
54	3ED90201R04_C01		3	Pce	Pneumatic control unit 气动控制单元	C	

**T25 Door Leaf / 门扇**



ET-3T003958R20

**T25: Ordering information:**  
**订购信息**

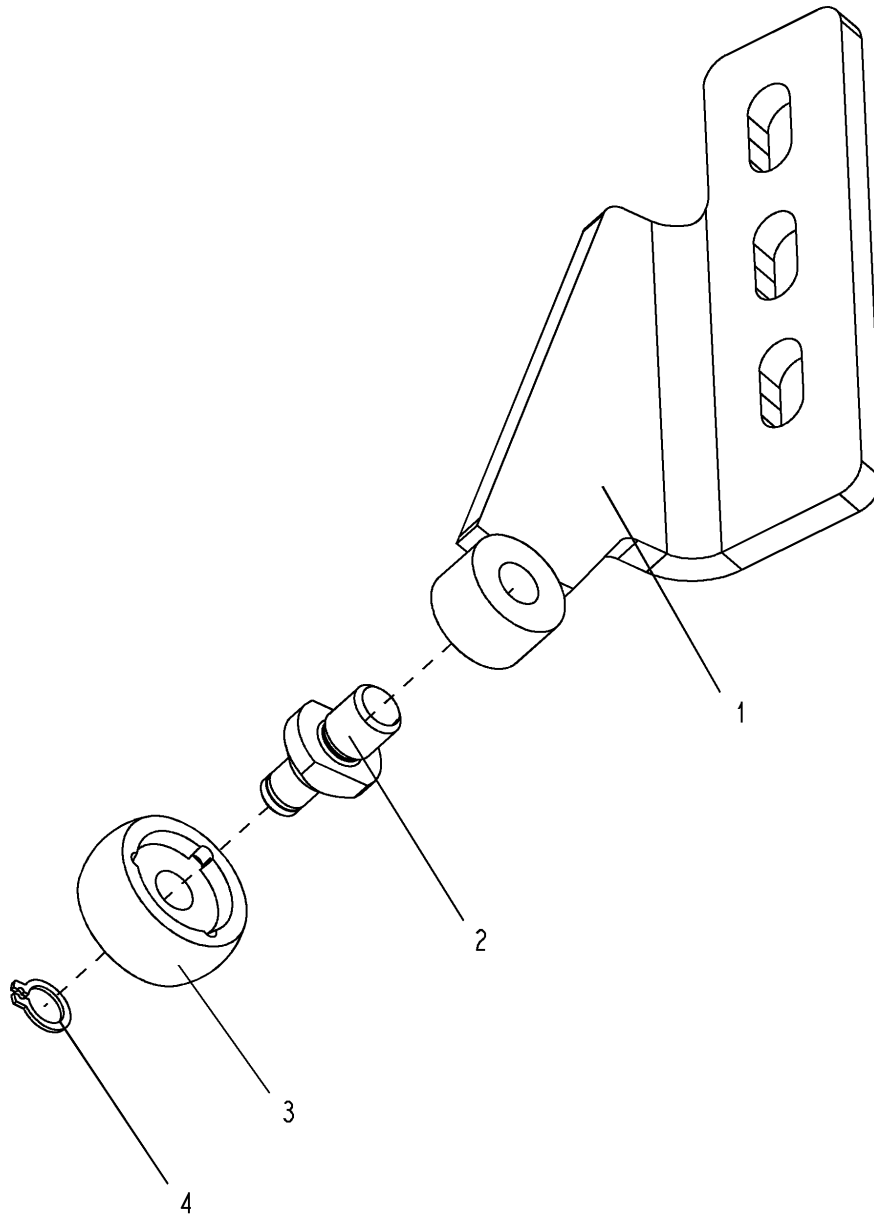
Pos. 件号	Item number 部件号	Cust. Number 客户编号	Quantity 数量	Unit 单位	Name 名称	WEC 类别	Page 页码
------------	--------------------	----------------------	----------------	------------	------------	-----------	------------

<b>3T003958R20</b>					<b>Door Leaf</b> 门扇		
001	3TD04339R12		1	Pce	Raw Doorleaf Panel 坯门板	C	
002	3TD04235R03		1	Pce	Window Pane 窗玻璃	C	
003	3T400825R05		1	Pce	Sealing Disc 密封片	C	
004	3TD15671R02		2	Pce	Roller Bracket 滚轮支架	C	
005	3TD15653R04		1	Pce	Sealing Frame 密封框	C	
006	3TD04549R05		1	Pce	Cover Ring 外挡圈	C	
007	3TD04333R12		1	Pce	Finger Prot Rubber 护指胶条	B	
008	3KT403095R05		2	Pce	Roller 滚轮	B	
009	3T403668R10		2	Pce	Roller Pin 滚轮销	C	
010	3TD04356R05		1	Pce	Guide Rail 导轨	C	
011	3TD14379R08		2	Pce	Cellular Rubber 海绵橡胶	B	
-							
013	3KT403095R06		1	Pce	Roller 滚轮	B	
014	3T403668R11		1	Pce	Roller Pin 滚轮销	C	
015	3KT403095R07		1	Pce	Roller 滚轮	B	
016	3T403668R12		1	Pce	Roller Pin 滚轮销	C	
017	3TD08418R08		1	Pce	Roller Bracket 滚轮支架	C	
018	3TD04373R40		1	Pce	Roller Bracket 滚轮支架	C	75
019	3TD08417R08		1	Pce	Cover 盖	C	
020	3JT402864R01		1	Pce	Bush 衬套	C	

<b>T25: Ordering information:</b> 订购信息							
Pos. 件号	Item number 部件号	Cust. Number 客户编号	Quantity 数量	Unit 单位	Name 名称	WEC 类别	Page 页码
021	3JT402864R02		1	Pce	Bush 衬套	C	
022	3JN400373P35		1	Pce	O-Ring O型圈	C	
023	3JT402779R01		1	Pce	Threaded Rod 螺纹杆	C	
024	7UN400584P25		1	Pce	Bearing 轴承	C	
025	7UN400584P26		1	Pce	Bearing 轴承	C	
026	3T302108R40		1	Pce	Bolt 螺栓	C	
027	3PT402866R12		1	Pce	Locking Pin 锁闭销	C	
028	3JT402782R02		1	Pce	Lever 杠杆	C	
029	3KT411415R01		1	Pce	Sheet Metal 钣金件	C	
030	3T409359R07		1	Pce	Collar 挡圈	C	
031	7UN400999R05		1	Pce	Plate 板	C	
032	7UN401099R03		1	Pce	Ife Name Plate IFE 铭牌	C	
033	7UN401337R11		1	Pce	Label 标签	C	
034	3TD90423R32		3	Pce	Shim 垫片	C	
-							
200	7A0601400		6	Pce	Hex-Head Bolt 六角螺栓	C	
201	3KN460000R65		6	Pce	Lock Washer 锁紧垫圈	C	
202	3ED00328R24		3	Pce	Countersunk Screw 沉头螺栓	C	
-							
205	478010		14	Pce	Countersunk Screw 沉头螺栓	C	
206	7B1203300		3	Pce	Machine Screw 机用螺栓	C	

T25: Ordering information: 订购信息							
Pos. 件号	Item number 部件号	Cust. Number 客户编号	Quantity 数量	Unit 单位	Name 名称	WEC 类别	Page 页码
207	467765		3	Pce	Washer 垫圈	C	
208	3J0041630		1	Pce	Tension Spring 涨紧弹簧	B	
209	3JT402810R01		1	Pce	Pin 销	C	
210	7L5201407		1	Pce	Hexagon Nut 六角螺母	C	
211	476443		1	Pce	Washer 垫圈	C	
212	469533		4	Pce	Countersunk Screw 沉头螺栓	C	
213	7U9245200		2	Pce	Shim 垫片	C	
214	7Q7605660		1	Pce	Straight Pin 直销子	C	
215	7M5803309		1	Pce	Washer 垫圈	C	
216	477965		1	Pce	Spring Washer 弹簧垫圈	C	
217	7A0601457		1	Pce	Hex-Head Bolt 六角螺栓	C	
218	475976		1	Pce	Spring Washer 弹簧垫圈	C	
-							
400	3ED00615R01		1	Pce	Button 按钮	B	
401	3ED90051R26_C01		1	Pce	Wiring Harness 线束	C	

T26 Roller Bracket Assembly / 滚轮支架

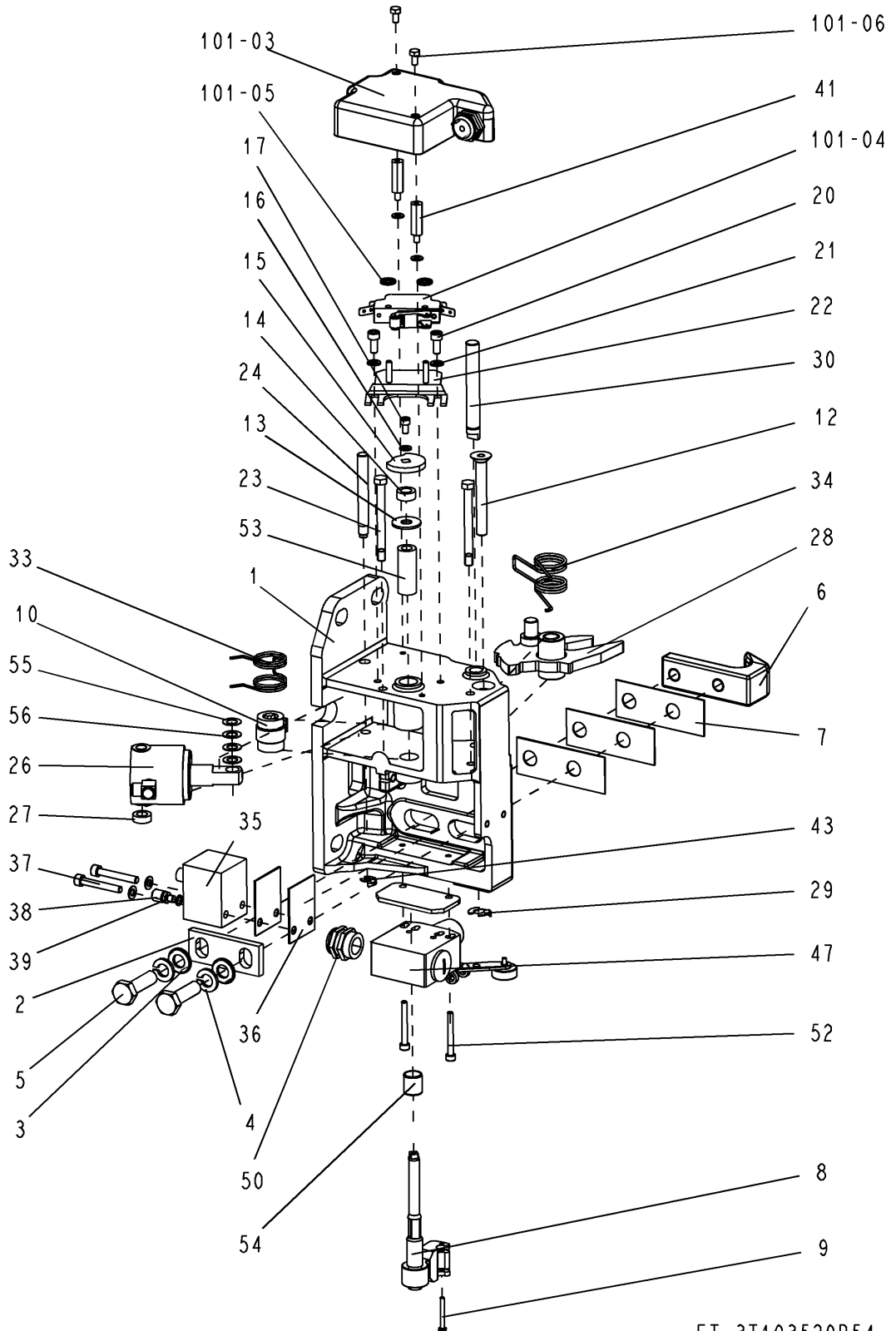


ET-3TD04373R40

T26: Ordering information: 订购信息							
Pos. 件号	Item number 部件号	Cust. Number 客户编号	Quantity 数量	Unit 单位	Name 名称	WEC 类别	Page 页码

	<b>3TD04373R40</b>				<b>Roller Bracket Assembly</b> 滚轮支架组件		
001	3TD04374R16		1	Pce	Roller Bracket 滚轮支架	C	
002	3WT407666R01		1	Pce	Pin 销	C	
003	3ET401232R01		1	Pce	Roller 滚轮	B	
004	7S8300400		1	Pce	Retaining Ring 扣环	C	

**T27 Main lock Assembly / 主锁**



ET-3T103520R54

T27: Ordering information: 订购信息							
Pos. 件号	Item number 部件号	Cust. Number 客户编号	Quantity 数量	Unit 单位	Name 名称	WEC 类别	Page 页码

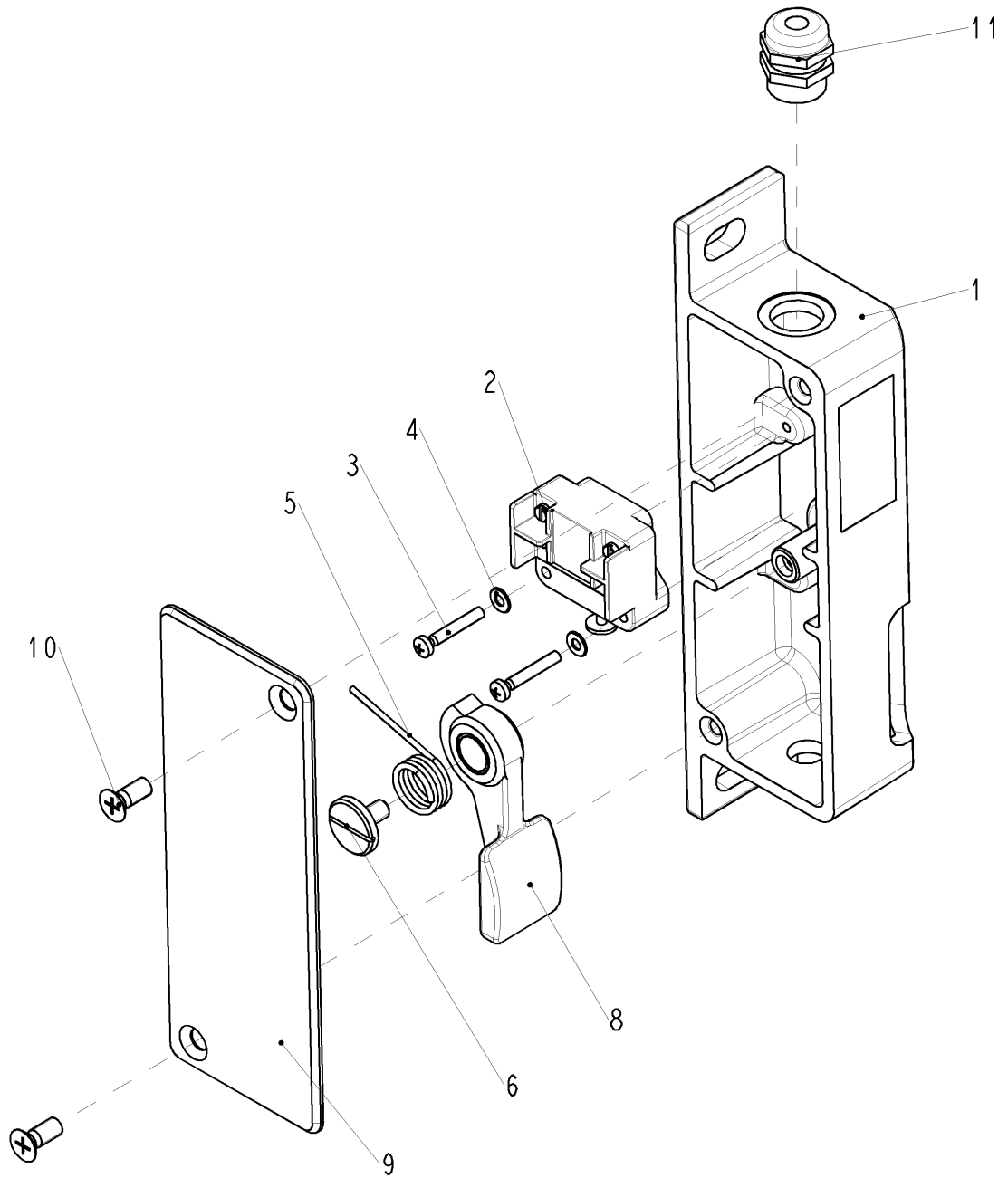
	<b>3T103520R54</b>				<b>Main Lock Assembly 主锁</b>		
01	3JT101521R92_C01		1	Pce	Lock Mounting Frame 主锁框架	C	
02	3T404166R15		1	Pce	Washer 垫圈	C	
03	450671		2	Pce	Washer 垫圈	C	
04	7N6501607		2	Pce	Lock Washer 锁紧垫圈	C	
05	7A0603857		2	Pce	Hex-Head Bolt 六角螺栓	C	
06	3T404165R17		1	Pce	Catch Hook 锁钩	C	
07	3JT404166R01		3	Pce	Washer 垫圈	C	
08	3RT302923R32		1	Pce	Check Bolt Pawl 检查螺栓棘爪	C	
09	7A0307000		1	Pce	Hex-Head Bolt 六角螺栓	C	
10	3JT404167R13		1	Pce	Locking Pawl 锁紧棘爪	C	
-							
12	478017		1	Pce	Countersunk Screw 沉头螺栓	C	
13	3JT404168R01		1	Pce	Washer 垫圈	C	
14	3JT404499R01		1	Pce	Sleeve 套管	C	
15	3CT403086R03		1	Pce	Switch Cam 开关凸轮	B	
16	7M5802600		5	Pce	Washer 垫圈	C	
17	7B1200200		1	Pce	Machine Screw 机用螺栓	C	
20	7B1201210		2	Pce	Machine Screw 机用螺栓	C	
21	450659		4	Pce	Washer 垫圈	C	

T27: Ordering information: 订购信息							
Pos. 件号	Item number 部件号	Cust. Number 客户编号	Quantity 数量	Unit 单位	Name 名称	WEC 类别	Page 页码
22	3RT404340R03		1	Pce	Holder 支架	C	
23	478316		2	Pce	Pin 销	C	
24	3RT403910R02		1	Pce	Pin 销	C	
-							
26	3VT404900R01		1	Pce	Cylinder 气缸	B	
27	3RT404169R02		1	Pce	Washer 垫圈	C	
28	3T302921R24		1	Pce	Pawl 棘爪	C	
29	7UN401031R06		1	Pce	Clip 夹子	B	
30	3T403906R07		1	Pce	Pin 销	C	
-							
33	3JN401022R01		1	Pce	Torsion Spring 涨紧弹簧	B	
34	3JN401023R01		1	Pce	Torsion Spring 涨紧弹簧	B	
35	3VT404173R03		1	Pce	Cylinder 气缸	B	
36	3JT404170R01		2	Pce	Washer 垫圈	C	
37	7B1201500		2	Pce	Machine Screw 机用螺栓	C	
38	7RN400243P01		1	Pce	Sealing Ring 密封圈	C	
39	7WN400218R02		1	Pce	Fitting 螺纹接头	C	
41	7GN300136R34		2	Pce	Spacing Pin 间距销	C	
43	7UN401031R54		1	Pce	KI-Clip KI-夹	B	
-							
47	8HN300159R22		1	Pce	Limit Switch 限位开关	B	

**T27: Ordering information:**  
订购信息

Pos. 件号	Item number 部件号	Cust. Number 客户编号	Quantity 数量	Unit 单位	Name 名称	WEC 类别	Page 页码
-							
50	3ED00101R03		1	Pce	Screw Fitting 螺纹接头	C	
-							
52	7B1200600		2	Pce	Machine Screw 机用螺栓	C	
53	7UN400242P18		1	Pce	Bearing 轴承	C	
54	7UN400584P15		1	Pce	Bearing 轴承	C	
55	7U9244500		1	Pce	Shim 垫片	C	
56	7U9244550		1	Pce	Shim 垫片	C	
-							
101	3ED90101R27_C01		1	Pce	Cabling 布线	C	

**T28 Bolt Box / 锁盒**



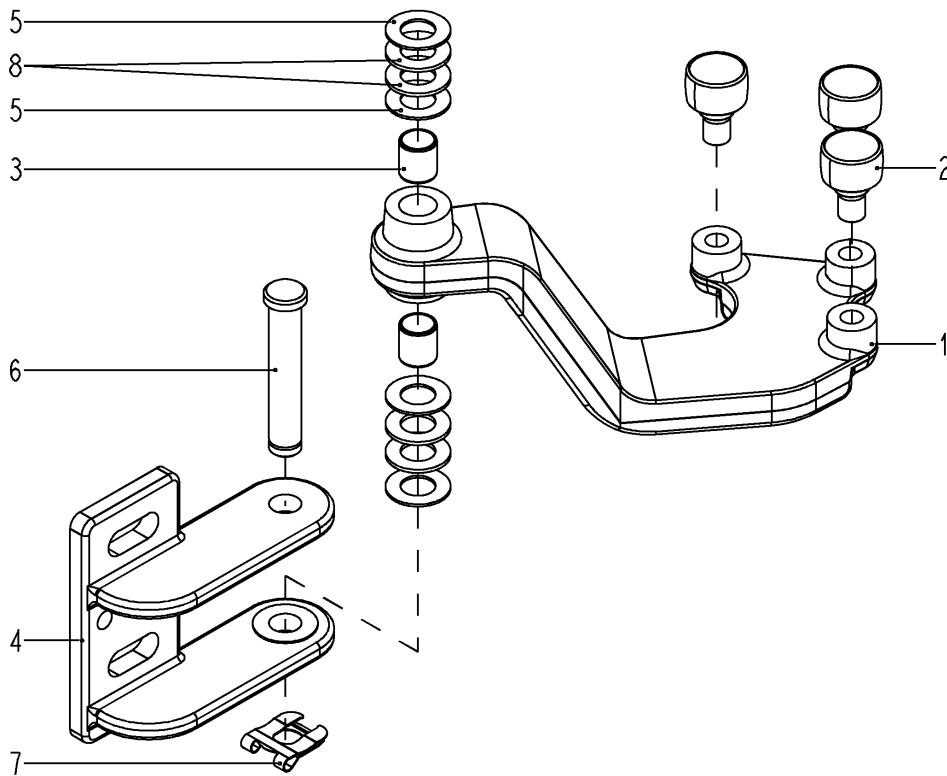
ET-3T201883R22

**T28: Ordering information:**  
订购信息

Pos. 件号	Item number 部件号	Cust. Number 客户编号	Quantity 数量	Unit 单位	Name 名称	WEC 类别	Page 页码
------------	--------------------	----------------------	----------------	------------	------------	-----------	------------

	<b>3T201883R22</b>				<b>Bolt Box 锁盒</b>		
01	3T202050R12		1	Pce	Housing 外壳	C	
02	8HN401253R01		1	Pce	Limit Switch 限位开关	B	
03	7D2202607		2	Pce	Pan-Head Screw 盘头螺栓	C	
04	7M5802207		2	Pce	Washer 垫圈	C	
05	3JN401252R01		1	Pce	Spring Clip 弹簧夹	B	
06	7E4400007		1	Pce	Pan-Head Screw 盘头螺栓	C	
-							
08	3WT405877R02		1	Pce	Cam 凸轮	C	
09	3KT405866R03		1	Pce	Cover 外壳	C	
10	7D2605007		2	Pce	Countersunk Screw 沉头螺栓	C	
11	8E1301000		1	Pce	Screw Fitting 螺纹接头	C	

**T29 Roller swing arm / 摇臂滚轮**

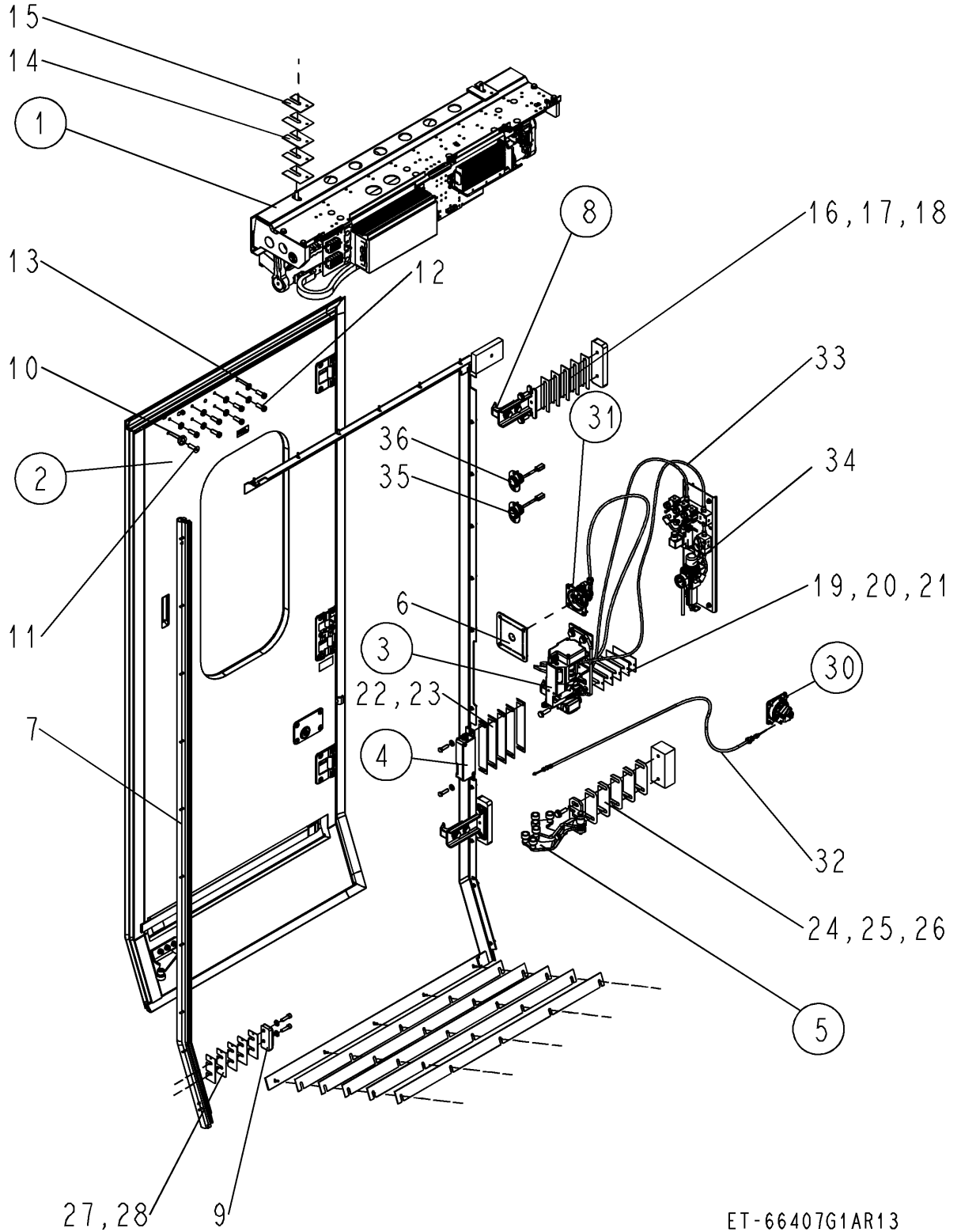


ET-3TD90530R04

T29: Ordering information: 订购信息							
Pos. 件号	Item number 部件号	Cust. Number 客户编号	Quantity 数量	Unit 单位	Name 名称	WEC 类别	Page 页码

	<b>3TD90530R04</b>				<b>Roller swing arm 滚轮摇臂</b>		
01	3TD90539R06		1	Pce	Rocker Arm 摆臂	C	
02	3K89993089		3	Pce	Cam Roller 滚轮	B	
03	7UN300503P25		2	Pce	Bearing 轴承	C	
04	3TD92670R01		1	Pce	Support Frame 支撑架	C	
05	3WT400215R48		4	Pce	Washer 垫圈	C	
06	3VT403450R06		1	Pce	Bearing Pin 轴承销	C	
07	7UN400244P56		1	Pce	Securing Clip 固定夹	B	
08	3WT400215R49		4	Pce	Washer 垫圈	C	
-							
44	3N401099R10		1	Pce	Adhesive Label 粘性标签	C	

**T30 Scope of supply / 供货范围**



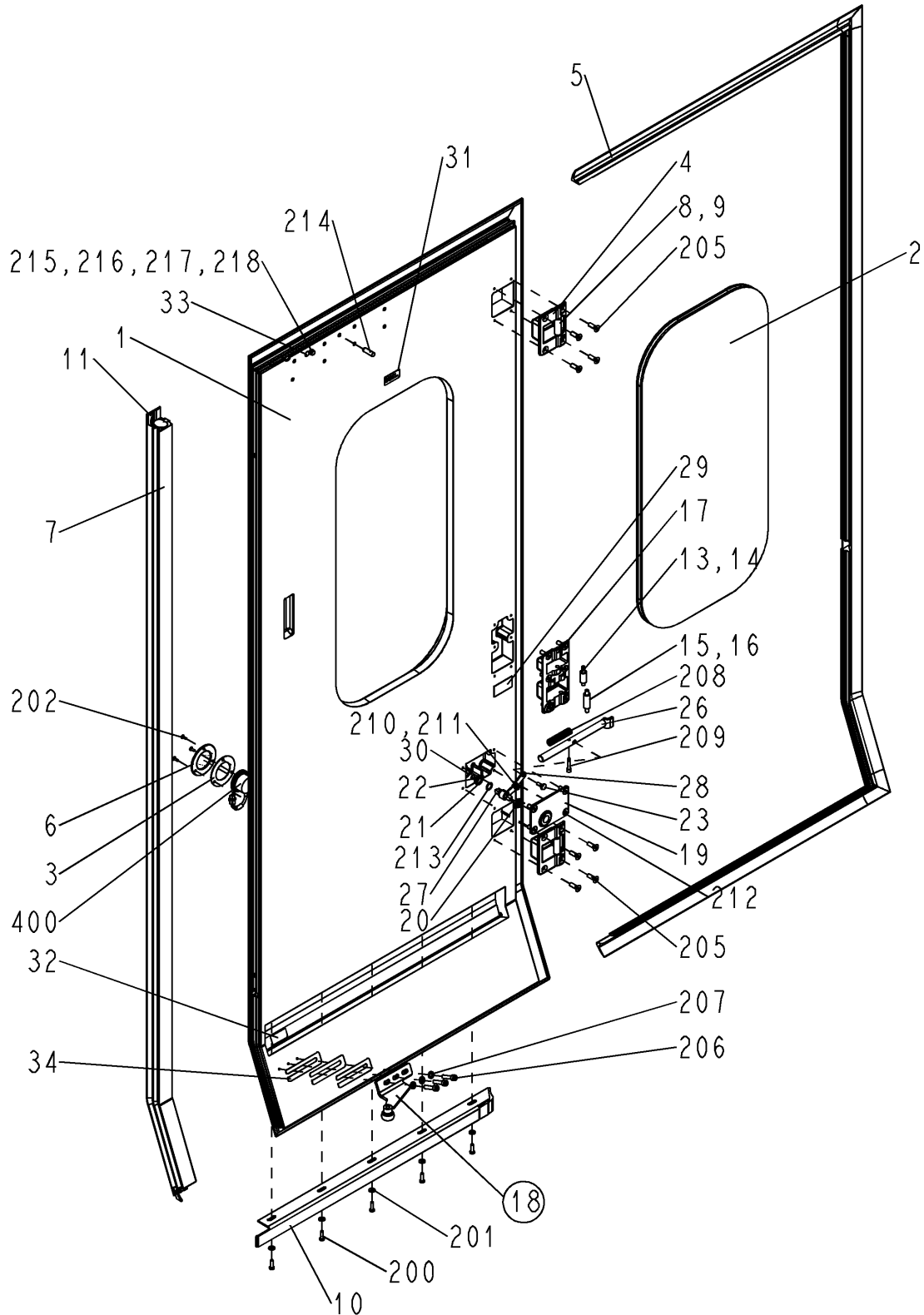
ET-66407G1AR13

T30: Ordering information: 订购信息							
Pos. 件号	Item number 部件号	Cust. Number 客户编号	Quantity 数量	Unit 单位	Name 名称	WEC 类别	Page 页码

	66407G1AR13				SCOPE OF SUPPLY 供货范围		
01	3TD08370R09		1	Pce	Drive 驱动机构	C	10
02	3T003958R21		1	Pce	Door Leaf Complete 门扇	C	88
03	3T103520R53		1	Pce	Main Lock 主锁	C	32
04	3T201883R21		1	Pce	Bolt Box 锁盒	C	37
05	3TD90530R03		1	Pce	Rolling Arm 滚轮摇臂	C	39
06	3TD90527R01		1	Pce	Plastic Panel 塑料板	C	
07	3TD90515R29		1	Pce	Sealing Strip 密封夹条	B	
08	3T404165R26		2	Pce	Catch Hook 锁钩	C	41
09	3KT202251R05		1	Pce	Arrester Block 固定底座	C	
10	3KT408879R02		1	Pce	Eccentric 偏心垫片	C	
11	477990		1	Pce	Countersunk Screw 沉头螺栓	C	
12	7B1401107		7	Pce	Machine Screw 机用螺栓	C	
13	3TD81440R16		7	Pce	Washer 垫圈	C	
14	3T304858R31		20	Pce	Shim 垫片	C	
15	3T304858R32		12	Pce	Shim 垫片	C	
16	3TD90423R10		6	Pce	Shim 垫片	C	
17	3TD90423R38		4	Pce	Shim 垫片	C	
18	3TD90423R39		2	Pce	Shim 垫片	C	
19	3TD90423R45		6	Pce	Shim 垫片	C	

<b>T30: Ordering information:</b> 订购信息							
Pos. 件号	Item number 部件号	Cust. Number 客户编号	Quantity 数量	Unit 单位	Name 名称	WEC 类别	Page 页码
20	3TD90423R46		4	Pce	Shim 垫片	C	
21	3TD90423R47		2	Pce	Shim 垫片	C	
22	3TD90516R102		5	Pce	Shim 垫片	C	
23	3TD90516R101		1	Pce	Shim 垫片	C	
24	3TD90423R09		3	Pce	Shim 垫片	C	
25	3TD90423R40		2	Pce	Shim 垫片	C	
26	3TD90423R41		1	Pce	Shim 垫片	C	
27	3TD90423R43		4	Pce	Shim 垫片	C	
28	3TD90423R44		2	Pce	Shim 垫片	C	
29	3TD90516R10		34	Pce	Shim 垫片	C	
30	3TD90524R19		1	Pce	Emergency Device 紧急装置	C	43
31	3TD90524R20		1	Pce	Emergency Device 紧急装置	C	49
32	3TD90537R37		2	Pce	Bowden Cable 钢丝绳	B	
33	0SN400222P04		6	m	Pipe 气管	C	
34	3ED90201R03_C01		1	Pce	Pneum.Control Unit 气动控制单元	C	
35	3ED99061R33_C01		1	Pce	Button 按钮	B	
36	3ED99061R34_C01		1	Pce	Button 按钮	B	
37	3ED90002R75_C01		1	Pce	E-Loose Part 电气散件	C	53

**T31 Door Leaf / 门扇**



ET-3T003958R21

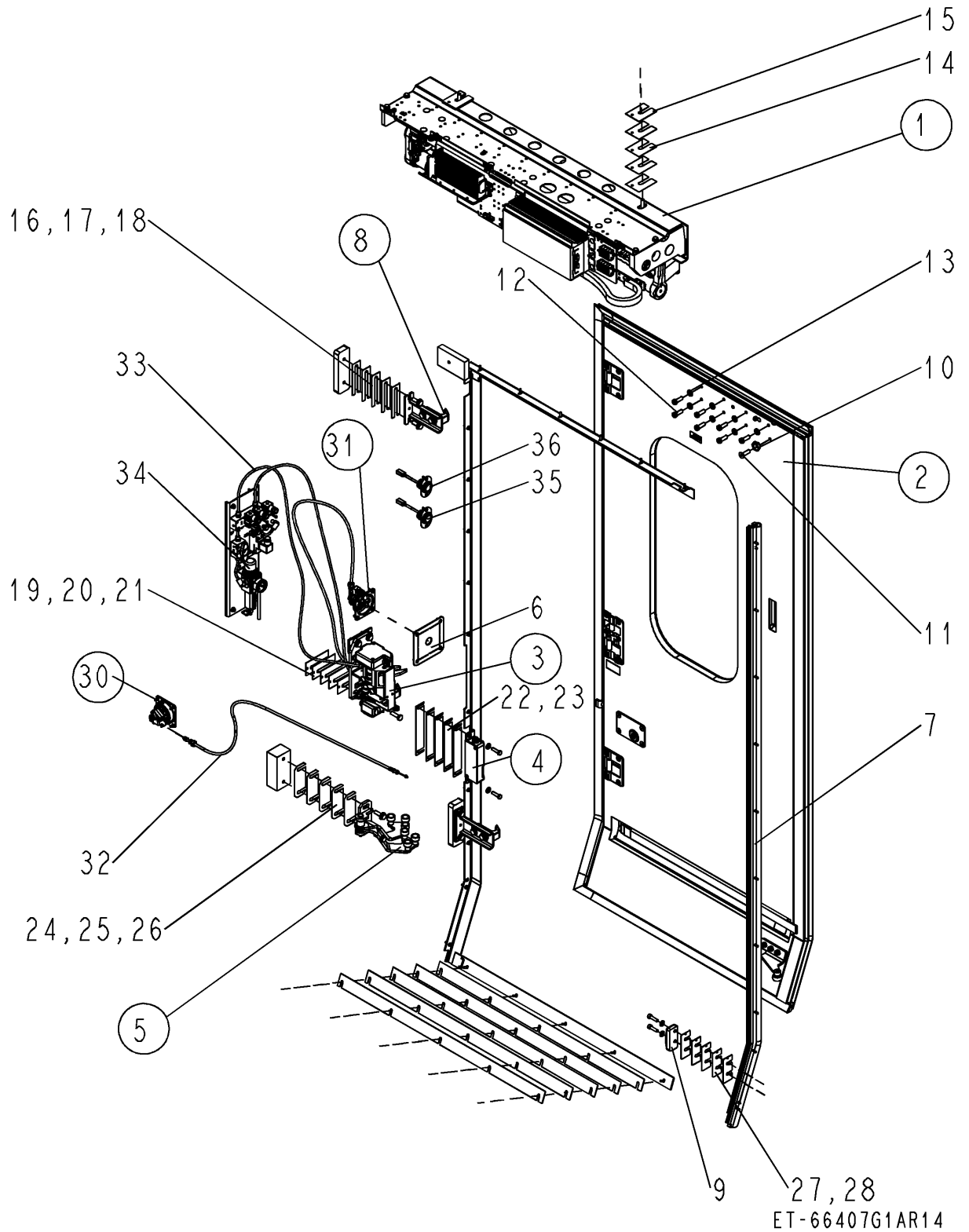
<b>T31: Ordering information:</b> 订购信息							
Pos. 件号	Item number 部件号	Cust. Number 客户编号	Quantity 数量	Unit 单位	Name 名称	WEC 类别	Page 页码

	<b>3T003958R21</b>				<b>Door Leaf</b> 门扇		
001	3TD04339R13		1	Pce	Raw Doorleaf Panel 坯门板	C	
002	3TD04235R03		1	Pce	Window Pane 窗玻璃	C	
003	3T400825R05		1	Pce	Sealing Disc 密封片	C	
004	3TD15671R03		2	Pce	Roller Bracket 滚轮支架	C	
005	3TD15653R03		1	Pce	Sealing Frame 密封框	C	
006	3TD04549R05		1	Pce	Cover Ring 外挡圈	C	
007	3TD04333R11		1	Pce	Finger Prot Rubber 护指胶条	B	
008	3KT403095R05		2	Pce	Roller 滚轮	B	
009	3T403668R10		2	Pce	Roller Pin 滚轮销	C	
010	3TD04356R04		1	Pce	Guide Rail 导轨	C	
011	3TD14379R08		2	Pce	Cellular Rubber 海绵橡胶	B	
-							
013	3KT403095R06		1	Pce	Roller 滚轮	B	
014	3T403668R11		1	Pce	Roller Pin 滚轮销	C	
015	3KT403095R07		1	Pce	Roller 滚轮	B	
016	3T403668R12		1	Pce	Roller Pin 滚轮销	C	
017	3TD08418R09		1	Pce	Roller Bracket 滚轮支架	C	
018	3TD04373R41		1	Pce	Roller Bracket 滚轮支架	C	30
019	3TD08417R09		1	Pce	Cover 盖	C	

<b>T31: Ordering information:</b> 订购信息							
Pos. 件号	Item number 部件号	Cust. Number 客户编号	Quantity 数量	Unit 单位	Name 名称	WEC 类别	Page 页码
020	3JT402864R01		1	Pce	Bush 衬套	C	
021	3JT402864R02		1	Pce	Bush 衬套	C	
022	3JN400373P35		1	Pce	O-Ring O型圈	C	
023	3JT402779R01		1	Pce	Threaded Rod 螺纹杆	C	
024	7UN400584P25		1	Pce	Bearing 轴承	C	
025	7UN400584P26		1	Pce	Bearing 轴承	C	
026	3T302108R40		1	Pce	Bolt 螺栓	C	
027	3PT402866R11		1	Pce	Locking Pin 锁闭销	C	
028	3JT402782R02		1	Pce	Lever 杠杆	C	
029	3KT411415R01		1	Pce	Sheet Metal 钣金件	C	
030	3T409359R07		1	Pce	Collar 挡圈	C	
031	7UN400999R05		1	Pce	Plate 板	C	
032	7UN401099R03		1	Pce	Ife Name Plate IFE 铭牌	C	
033	7UN401337R11		1	Pce	Label 标签	C	
034	3TD90423R32		3	Pce	Shim 垫片	C	
-							
200	7A0601400		6	Pce	Hex-Head Bolt 六角螺栓	C	
201	3KN460000R65		6	Pce	Lock Washer 锁紧垫圈	C	
202	3ED00328R24		3	Pce	Countersunk Screw 沉头螺栓	C	
-							
205	478010		14	Pce	Countersunk Screw 沉头螺栓	C	

<b>T31: Ordering information:</b> 订购信息							
Pos. 件号	Item number 部件号	Cust. Number 客户编号	Quantity 数量	Unit 单位	Name 名称	WEC 类别	Page 页码
206	7B1203300		3	Pce	Machine Screw 机用螺栓	C	
207	467765		3	Pce	Washer 垫圈	C	
208	3J0041630		1	Pce	Tension Spring 涨紧弹簧	B	
209	3JT402810R01		1	Pce	Pin 销	C	
210	7L5201407		1	Pce	Hexagon Nut 六角螺母	C	
211	476443		1	Pce	Washer 垫圈	C	
212	469533		4	Pce	Countersunk Screw 沉头螺栓	C	
213	7U9245200		2	Pce	Shim 垫片	C	
214	7Q7605660		1	Pce	Straight Pin 直销子	C	
215	7M5803309		1	Pce	Washer 垫圈	C	
216	477965		1	Pce	Spring Washer 弹簧垫圈	C	
217	7A0601457		1	Pce	Hex-Head Bolt 六角螺栓	C	
218	475976		1	Pce	Spring Washer 弹簧垫圈	C	
-							
400	3ED00615R01		1	Pce	Button 按钮	B	
401	3ED90051R26_C01		1	Pce	Wiring Harness 线束	C	

### T32 Scope of supply / 供货范围

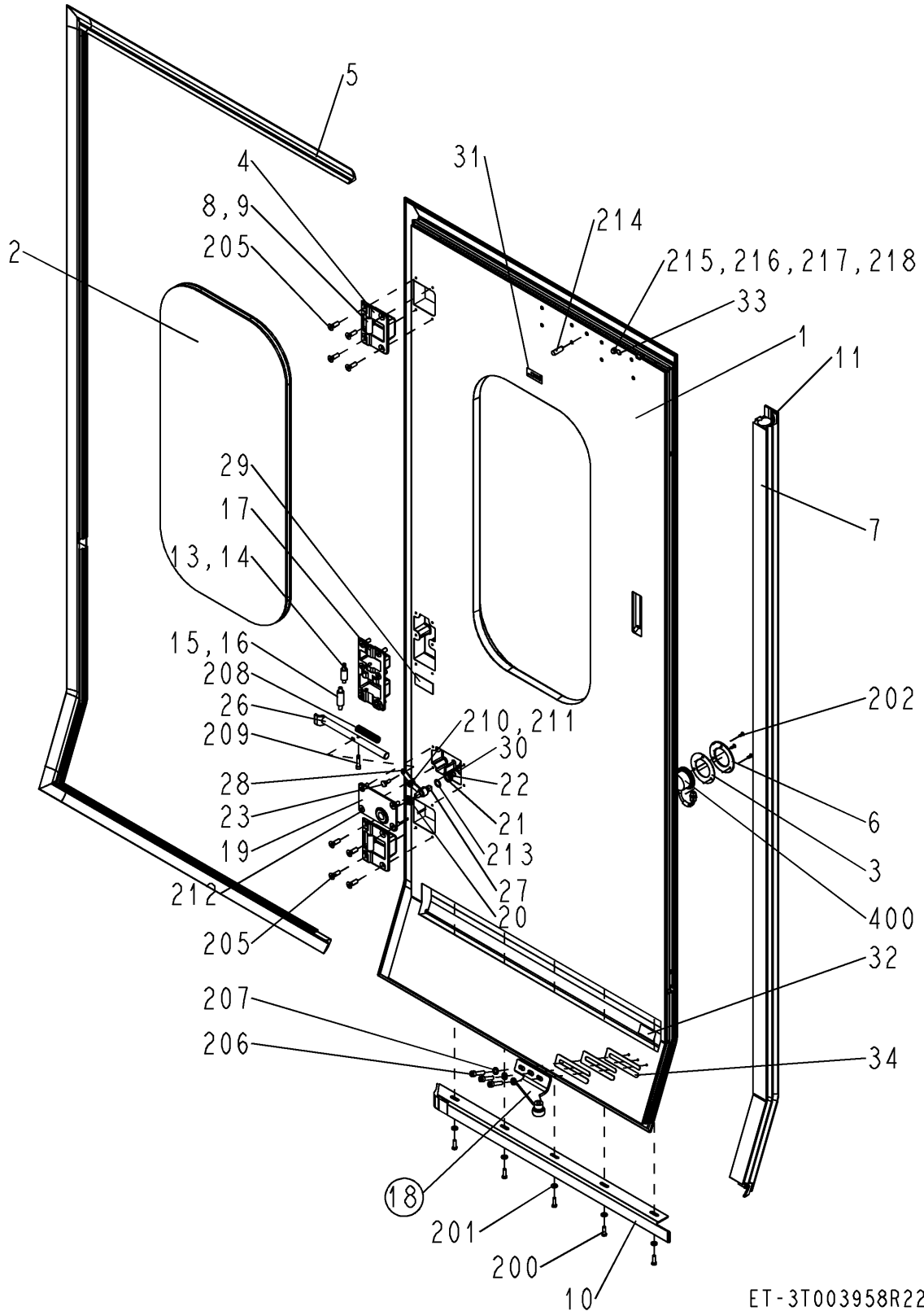


T32: Ordering information: 订购信息							
Pos. 件号	Item number 部件号	Cust. Number 客户编号	Quantity 数量	Unit 单位	Name 名称	WEC 类别	Page 页码

66407G1AR14		SCOPE OF SUPPLY 供货范围					
01	3TD08370R10		1	Pce	Drive 驱动机构	C	57
02	3T003958R22		1	Pce	Door Leaf Complete 门扇	C	95
03	3T103520R54		1	Pce	Main Lock 主锁	C	77
04	3T201883R22		1	Pce	Bolt Box 锁盒	C	81
05	3TD90530R04		1	Pce	Rolling Arm 滚轮摇臂	C	83
06	3TD90527R01		1	Pce	Plastic Panel 塑料板	C	
07	3TD90515R30		1	Pce	Sealing Strip 密封夹条	B	
08	3T404165R26		2	Pce	Catch Hook 锁钩	C	41
09	3KT202251R06		1	Pce	Arrester Block 固定底座	C	
10	3KT408879R02		1	Pce	Eccentric 偏心垫片	C	
11	477990		1	Pce	Countersunk Screw 沉头螺栓	C	
12	7B1401107		7	Pce	Machine Screw 机用螺栓	C	
13	3TD81440R16		7	Pce	Washer 垫圈	C	
14	3T304858R31		20	Pce	Shim 垫片	C	
15	3T304858R32		12	Pce	Shim 垫片	C	
16	3TD90423R10		6	Pce	Shim 垫片	C	
17	3TD90423R38		4	Pce	Shim 垫片	C	
18	3TD90423R39		2	Pce	Shim 垫片	C	
19	3TD90423R45		6	Pce	Shim 垫片	C	
20	3TD90423R46		4	Pce	Shim 垫片	C	

<b>T32: Ordering information:</b> 订购信息							
Pos. 件号	Item number 部件号	Cust. Number 客户编号	Quantity 数量	Unit 单位	Name 名称	WEC 类别	Page 页码
21	3TD90423R47		2	Pce	Shim 垫片	C	
22	3TD90516R102		5	Pce	Shim 垫片	C	
23	3TD90516R101		1	Pce	Shim 垫片	C	
24	3TD90423R09		3	Pce	Shim 垫片	C	
25	3TD90423R40		2	Pce	Shim 垫片	C	
26	3TD90423R41		1	Pce	Shim 垫片	C	
27	3TD90423R43		4	Pce	Shim 垫片	C	
28	3TD90423R44		2	Pce	Shim 垫片	C	
29	3TD90516R10		34	Pce	Shim 垫片	C	
30	3TD90524R19		1	Pce	Emergency Device 紧急装置	C	43
31	3TD90524R20		1	Pce	Emergency Device 紧急装置	C	49
32	3TD90537R37		2	Pce	Bowden Cable 钢丝绳	B	
33	OSN400222P04		6	m	Pipe 气管	C	
34	3ED90201R03_C01		1	Pce	Pneum.Control Unit 气动控制单元	C	
35	3ED99061R33_C01		1	Pce	Button 按钮	B	
36	3ED99061R34_C01		1	Pce	Button 按钮	B	
37	3ED90002R75_C01		1	Pce	E-Loose Part 电气散件	C	53

**T33 Door Leaf / 门扇**



ET-3T003958R22

<b>T33: Ordering information:</b> 订购信息							
Pos. 件号	Item number 部件号	Cust. Number 客户编号	Quantity 数量	Unit 单位	Name 名称	WEC 类别	Page 页码

	<b>3T003958R22</b>				<b>Door Leaf</b> 门扇		
001	3TD04339R14		1	Pce	Raw Doorleaf Panel 坯门板	C	
002	3TD04235R03		1	Pce	Window Pane 窗玻璃	C	
003	3T400825R05		1	Pce	Sealing Disc 密封片	C	
004	3TD15671R03		2	Pce	Roller Bracket 滚轮支架	C	
005	3TD15653R04		1	Pce	Sealing Frame 密封框	C	
006	3TD04549R05		1	Pce	Cover Ring 外挡圈	C	
007	3TD04333R12		1	Pce	Finger Prot Rubber 护指胶条	B	
008	3KT403095R05		2	Pce	Roller 滚轮	B	
009	3T403668R10		2	Pce	Roller Pin 滚轮销	C	
010	3TD04356R05		1	Pce	Guide Rail 导轨	C	
011	3TD14379R08		2	Pce	Cellular Rubber 海绵橡胶	B	
-							
013	3KT403095R06		1	Pce	Roller 滚轮	B	
014	3T403668R11		1	Pce	Roller Pin 滚轮销	C	
015	3KT403095R07		1	Pce	Roller 滚轮	B	
016	3T403668R12		1	Pce	Roller Pin 滚轮销	C	
017	3TD08418R10		1	Pce	Roller Bracket 滚轮支架	C	
018	3TD04373R42		1	Pce	Roller Bracket 滚轮支架	C	30
019	3TD08417R10		1	Pce	Cover 盖	C	

<b>T33: Ordering information:</b> 订购信息							
Pos. 件号	Item number 部件号	Cust. Number 客户编号	Quantity 数量	Unit 单位	Name 名称	WEC 类别	Page 页码
020	3JT402864R01		1	Pce	Bush 衬套	C	
021	3JT402864R02		1	Pce	Bush 衬套	C	
022	3JN400373P35		1	Pce	O-Ring O型圈	C	
023	3JT402779R01		1	Pce	Threaded Rod 螺纹杆	C	
024	7UN400584P25		1	Pce	Bearing 轴承	C	
025	7UN400584P26		1	Pce	Bearing 轴承	C	
026	3T302108R40		1	Pce	Bolt 螺栓	C	
027	3PT402866R12		1	Pce	Locking Pin 锁闭销	C	
028	3JT402782R02		1	Pce	Lever 杠杆	C	
029	3KT411415R01		1	Pce	Sheet Metal 钣金件	C	
030	3T409359R07		1	Pce	Collar 挡圈	C	
031	7UN400999R05		1	Pce	Plate 板	C	
032	7UN401099R03		1	Pce	Ife Name Plate IFE 铭牌	C	
033	7UN401337R11		1	Pce	Label 标签	C	
034	3TD90423R32		3	Pce	Shim 垫片	C	
-							
200	7A0601400		6	Pce	Hex-Head Bolt 六角螺栓	C	
201	3KN460000R65		6	Pce	Lock Washer 锁紧垫圈	C	
202	3ED00328R24		3	Pce	Countersunk Screw 沉头螺栓	C	
-							
205	478010		14	Pce	Countersunk Screw 沉头螺栓	C	

<b>T33: Ordering information:</b> 订购信息							
Pos. 件号	Item number 部件号	Cust. Number 客户编号	Quantity 数量	Unit 单位	Name 名称	WEC 类别	Page 页码
206	7B1203300		3	Pce	Machine Screw 机用螺栓	C	
207	467765		3	Pce	Washer 垫圈	C	
208	3J0041630		1	Pce	Tension Spring 涨紧弹簧	B	
209	3JT402810R01		1	Pce	Pin 销	C	
210	7L5201407		1	Pce	Hexagon Nut 六角螺母	C	
211	476443		1	Pce	Washer 垫圈	C	
212	469533		4	Pce	Countersunk Screw 沉头螺栓	C	
213	7U9245200		2	Pce	Shim 垫片	C	
214	7Q7605660		1	Pce	Straight Pin 直销子	C	
215	7M5803309		1	Pce	Washer 垫圈	C	
216	477965		1	Pce	Spring Washer 弹簧垫圈	C	
217	7A0601457		1	Pce	Hex-Head Bolt 六角螺栓	C	
218	475976		1	Pce	Spring Washer 弹簧垫圈	C	
-							
400	3ED00615R01		1	Pce	Button 按钮	B	
401	3ED90051R26_C01		1	Pce	Wiring Harness 线束	C	