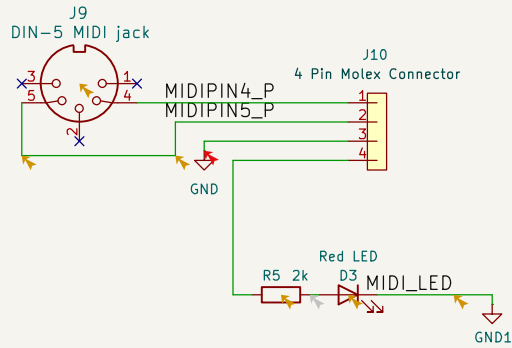
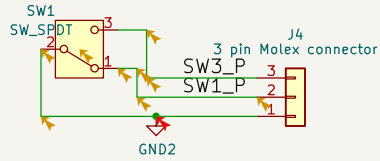
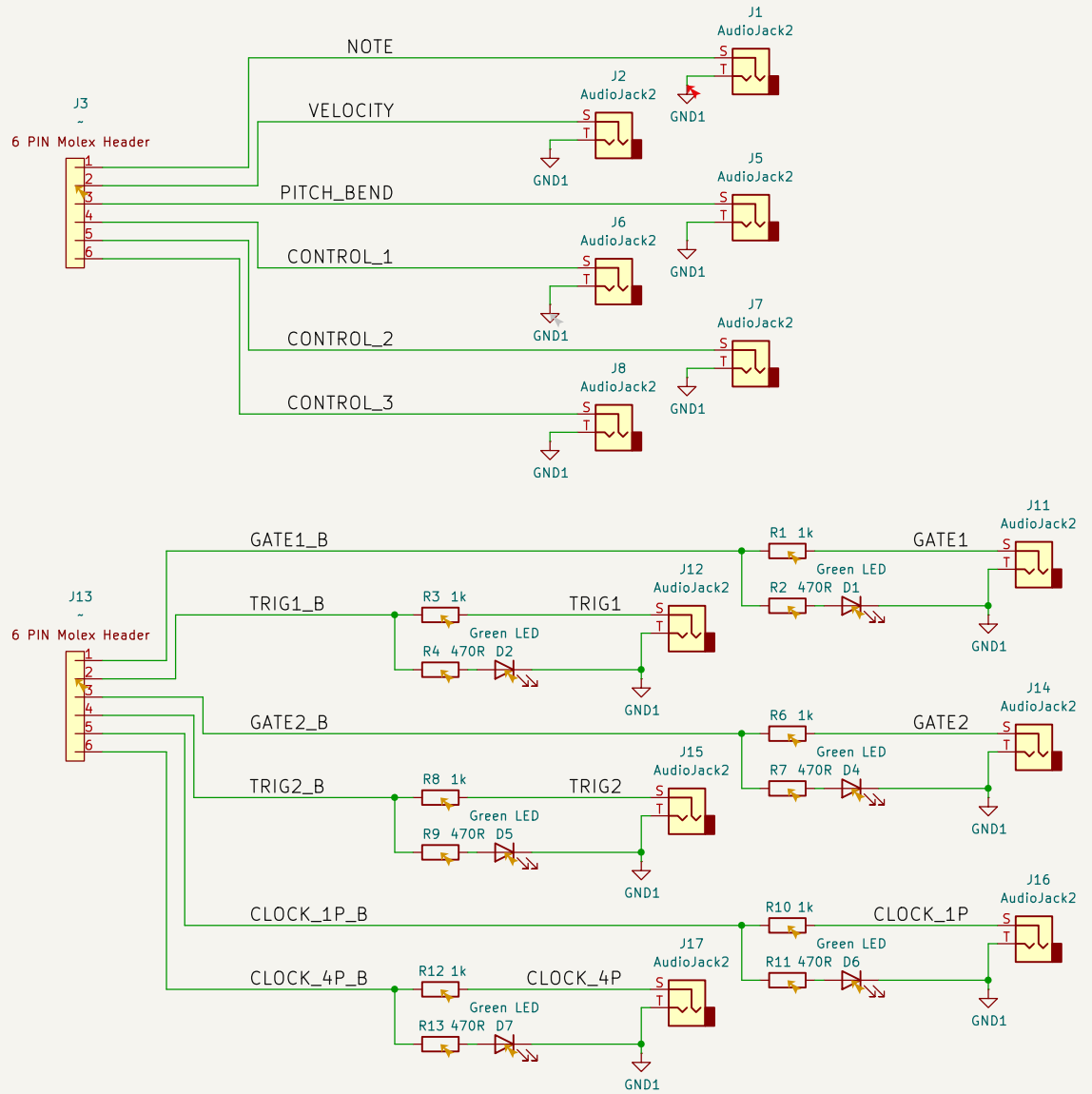


Components mounted on panel

Note priority selector



Pin 1 and 2 are inputs from the MIDI Jack to the board.
 Pin 3 is output from the board to the jack and LED ground.
 Pin 4 is output from the board to the midi LED.



Original Schematic: Rich Holmes / Analog Output
 Adapted from <https://github.com/elkayem/midi2cv>
 via <https://github.com/philippejadin/midi2cv>

Oxenfree

Sheet: /
 File: panelcomps.kicad_sch

Title: MCVI (3/2)

Size: USLetter | Date: 2026-03-30
 KiCad E.D.A. 9.0.6

Rev:
 Id: 1/1