

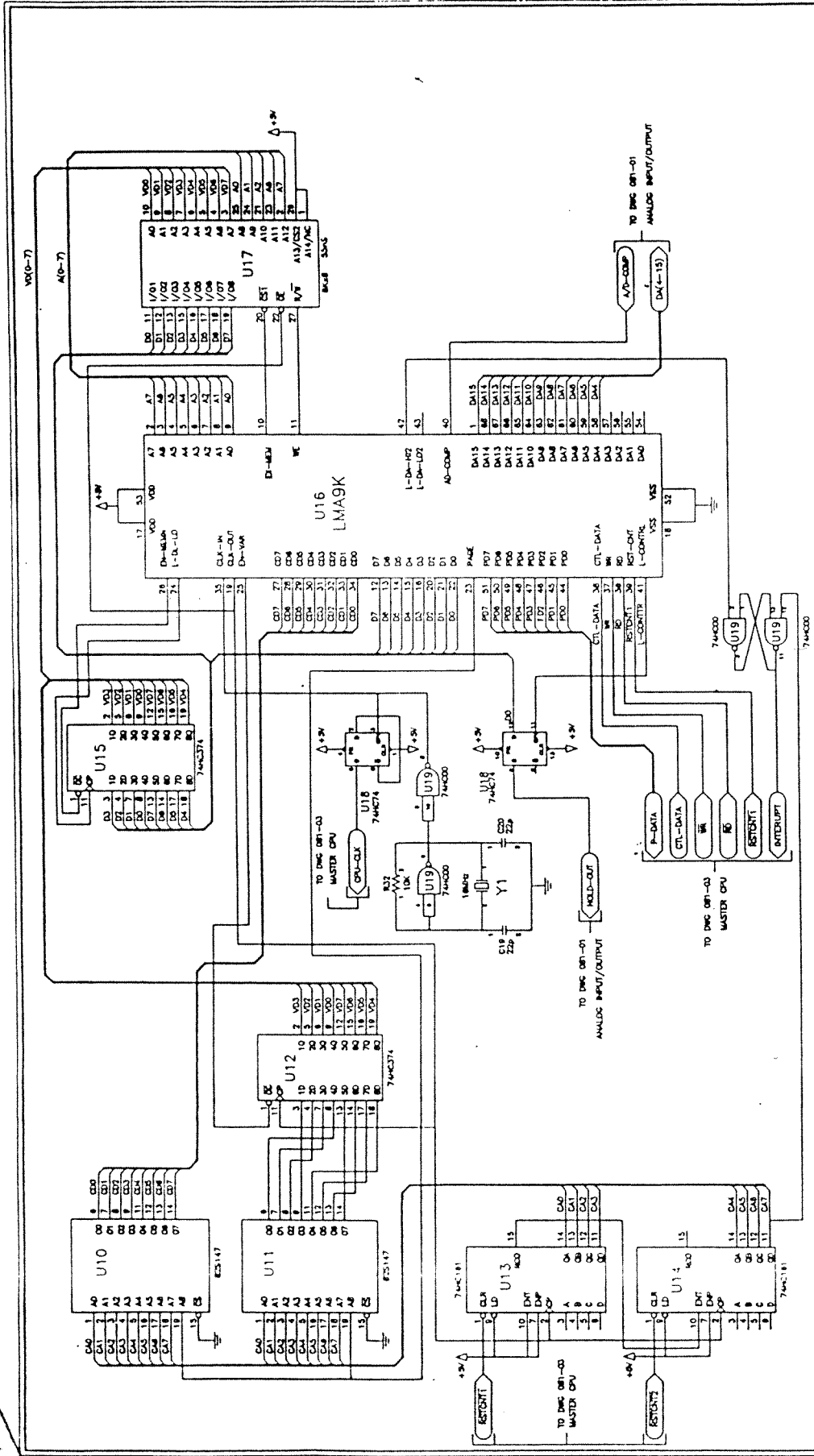
WHAMMY PEDAL  
ANALOG INPUT/ OUTPUT

SHEET 01 OF 03 DWG: 081-01 D BY GPU

VLTechnologies DATE: 90-12-03

REV. DATE COMMENTS

A	80-04-18	ORIGINATE
B	80-07-30	SEE EDO #24 WHAMMY PEDAL DISTORTION REDUCTION
C	80-12-03	CHANGE R012 -V TO REFERRED -V AC BR. CHANGE R13 TO 47K. SEE EDO #37



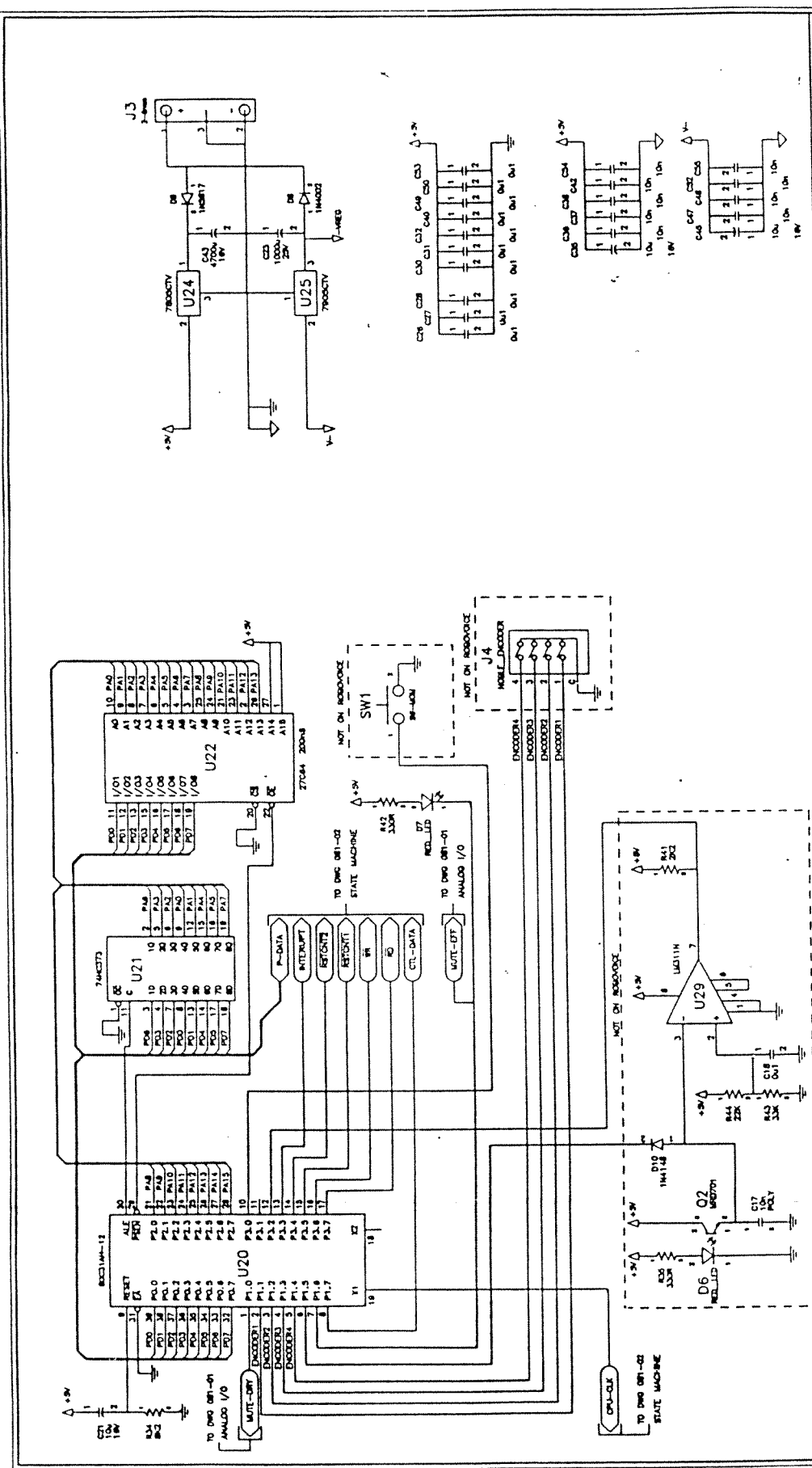
REV.	DATE	COMMENTS
A	10-10-90	FOR PART
B	10-10-90	CHANGE SIZE FOR MANAGED PCB LAYOUT
C		

WHAMMY PEDAL  
STATE MACHINE

SHEET 02 OF 03 DWG: 081-02 C BY GRJ

VLTechnologies

DATE: 90-10-30



WHAMMY PEDAL  
MASTER CPU

SHEET 03 OF 03 DWG: 081-03 F BY GPU  
VLTechnologies DATE: 90-12-03

REV. DATE COMMENTS

- A 80-04-28 CORRECT
- B 80-07-20 SET LED (2) WHAMMY PEDAL POWER SUPPLY CHANGE
- C 80-08-28 CHANGE ENCODER TO HEBL
- D 80-10-20 CHANGE TO CMOS CPU CHANGE C17 TO 10K USE POLY CHANGE R25 TO 330K
- E 80-11-03 SET [C0] P27 --WEB TO 5011 --V SUPPLY CHANGE R8 TO P2011